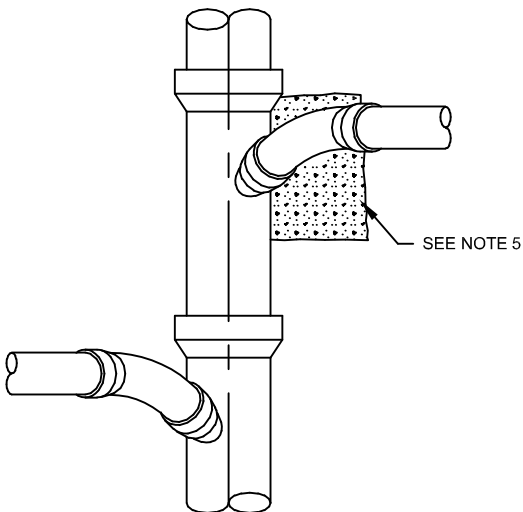


NOTES:

- 1) FINAL APPROVAL WILL NOT BE GRANTED UNLESS THE LETTER "S" IS STAMPED ON CURB AS NOTED ABOVE, AT CORRECT STATION.
- 2) FINAL APPROVAL WILL NOT BE GRANTED UNLESS THE SEWER LATERALS COMPLY FULLY WITH THIS DRAWING.
- 3) ALL LATERALS MUST HAVE STATION AND INVERT ELEV. AT PROPERTY LINE NOTED ON "AS-BUILT" DRAWING, OR FINAL APPROVAL WILL NOT BE GRANTED.
- 4) PROPERTY LINE CLEAN OUTS WILL BE REQUIRED ON ALL LATERALS IF WATER IS NOT SERVED BY THE VWD.
- 5) CONCRETE SUPPORT OF SEWER LATERALS, REQUIRED ON HOT TAPS ONLY.
- 6) "A" DIMEN. SHALL BE 5-Ft. UNLESS NOTED OTHERWISE ON THE PLANS. FOR LATERALS WHERE COVER IS LESS THAN 4-Ft. CONC. ENCASEMENT WILL BE USE.
- 7) OPERATION AND MAINTENANCE OF THE SEWER LATERAL IS THE SOLE RESPONSIBILITY OF THE PROPERTY OWNER.



| REVISIONS | | | VALLECITOS WATER DISTRICT STANDARD DRAWING | DATE: JULY 2015 |
|------------------|----------|---------|--|---------------------------|
| DESCRIPTION | APPROVED | DATE | | BY: |
| ADDED MIN. GRADE | | 1/30/17 | STANDARD LATERAL FOR SEWER | Drawing No. S-4 |
| ADDED NOTE 7 | | 3/2/23 | | |
| | | | | |
| | | | | |