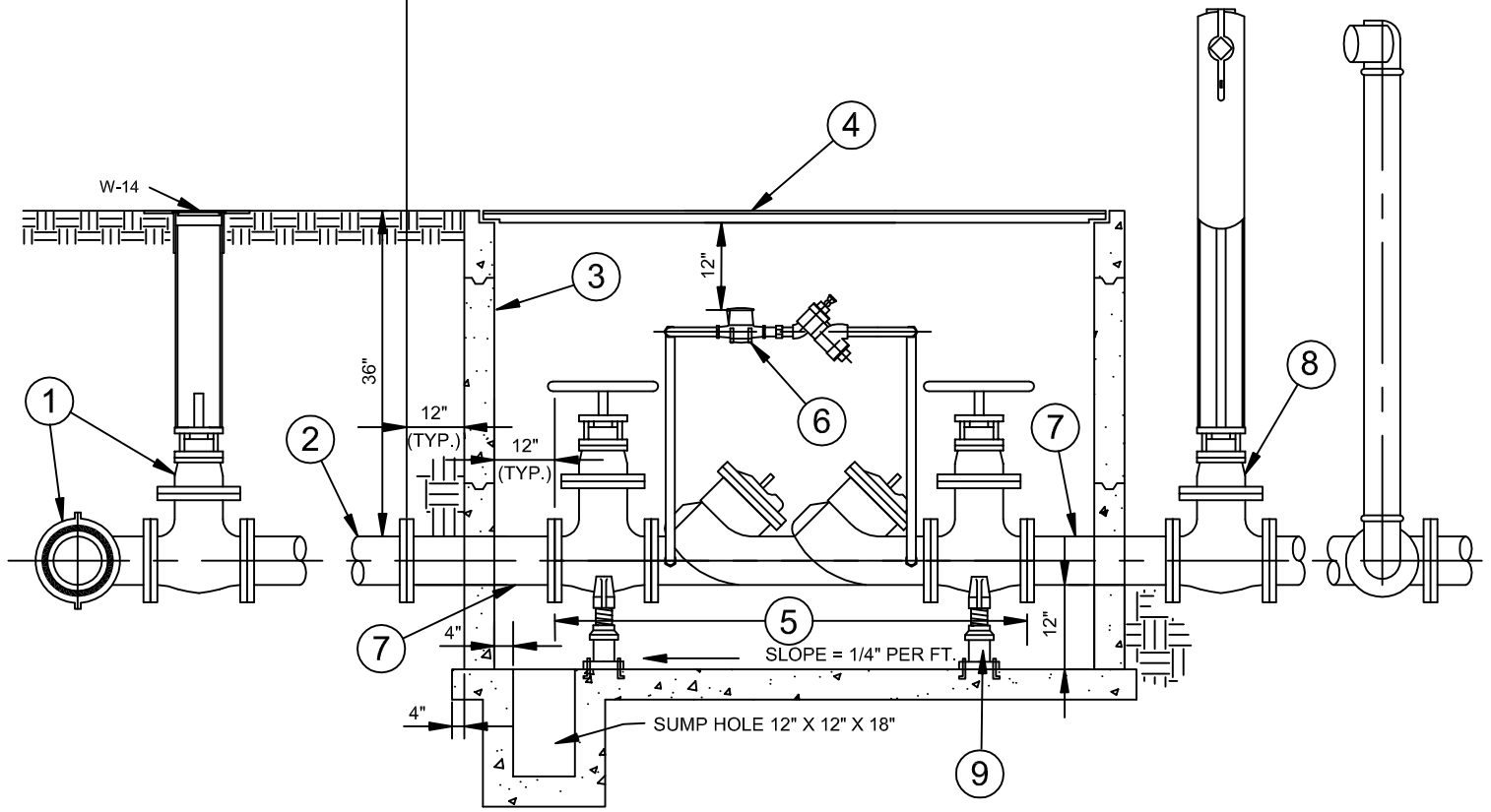


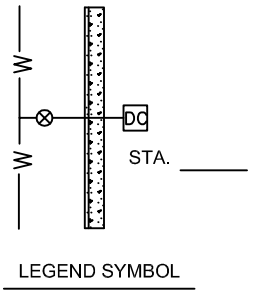
PUBLIC RIGHT OF WAY
END OF DISTRICT RESPONSIBILITY

PRIVATE PROPERTY, EASEMENT REQUIRED
CUSTOMER OWNED



NOTES:

- 1) SUBSTITUTIONS IN MATERIAL SHALL NOT BE MADE WITHOUT APPROVAL OF THE DISTRICT.
- 2) A MINIMUM OF 24" CLEARANCE SHALL BE MAINTAINED BETWEEN THE VAULT AND ALL FACILITIES.
- 3) PIPE LENGTH SHALL BE VERIFIED IN THE FIELD.
- 4) ALL EXPOSED PIPING AND BOLTS SHALL BE PAINTED BLUE PER CURRENT VWD MATERIAL LIST (EXCLUDING BY-PASS PLUMBING & METER)
- 5) BY-PASS METER SHALL BE RAISED TO WITHIN ONE FOOT OF THE VAULT LID.
- 6) ALL BY-PASS PLUMBING SHALL BE HARD COPPER OR RED BRASS AS SUPPLIED BY MANUFACTURER.
- 7) CONTACT THE FIRE PROTECTION DISTRICT FOR SPECIFICATIONS ON FIRE DEPARTMENT CONNECTION.
- 8) ACCESS LADDER REQUIRED FOR VAULTS OVER THREE FEET DEEP.
- 9) DCDA OR RPD, PER STATE HEALTH DEPARTMENT APPROVED LIST, DEVICE TO DETERMINED BY TYPE OF HAZARD.
- 10) BYPASS METER BACKFLOW DEVICE SHALL BE AN INCLUDED COMPONENT OF DETECTOR CHECK ASSEMBLY.



ITEM	MATERIAL	ITEM	MATERIAL
①	TAPPING VALVE AND SADDLE	⑥	BY-PASS METER W / BACKFLOW
②	PIPE, SAME MATERIAL AS MAIN LINE	⑦	FLANGED SPOOL, SAME MATERIAL AS MAIN LINE
③	PRECAST VAULT	⑧	VALVE & INDICATOR POST PER APPROPRIATE FIRE DIST.
④	ALUMINUM, TWO PIECE SPRING ASSIST LID	⑨	VALVE SUPPORT STAND W/ SADDLE TOP AND 3/8" S.S. "L"
⑤	STATE APPROVED DETECTOR CHECK ASSEMBLY		ANCHOR BOLTS W/ WASHERS

REVISIONS		
DESCRIPTION	APPROVED	DATE
REMOVED VALVE RISER STEM		9-9-16

VALLECITOS WATER DISTRICT STANDARD DRAWING

**DETECTOR CHECK ASSEMBLY
(BELOW GROUND)**

DATE: JULY 2015

BY:

Drawing No.
W-12