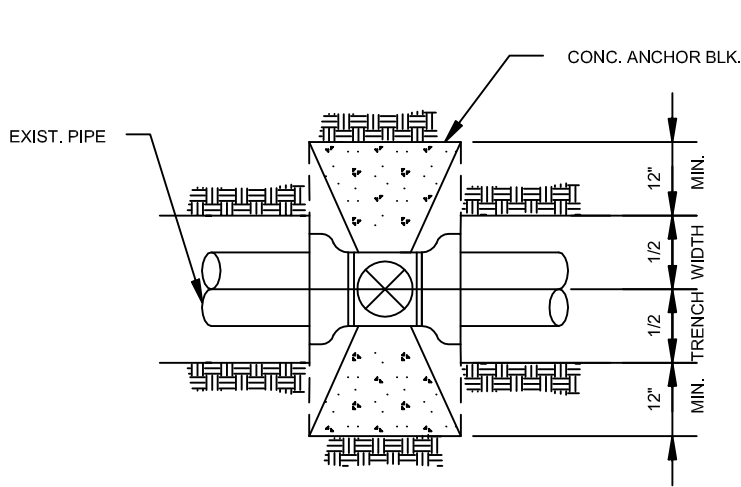
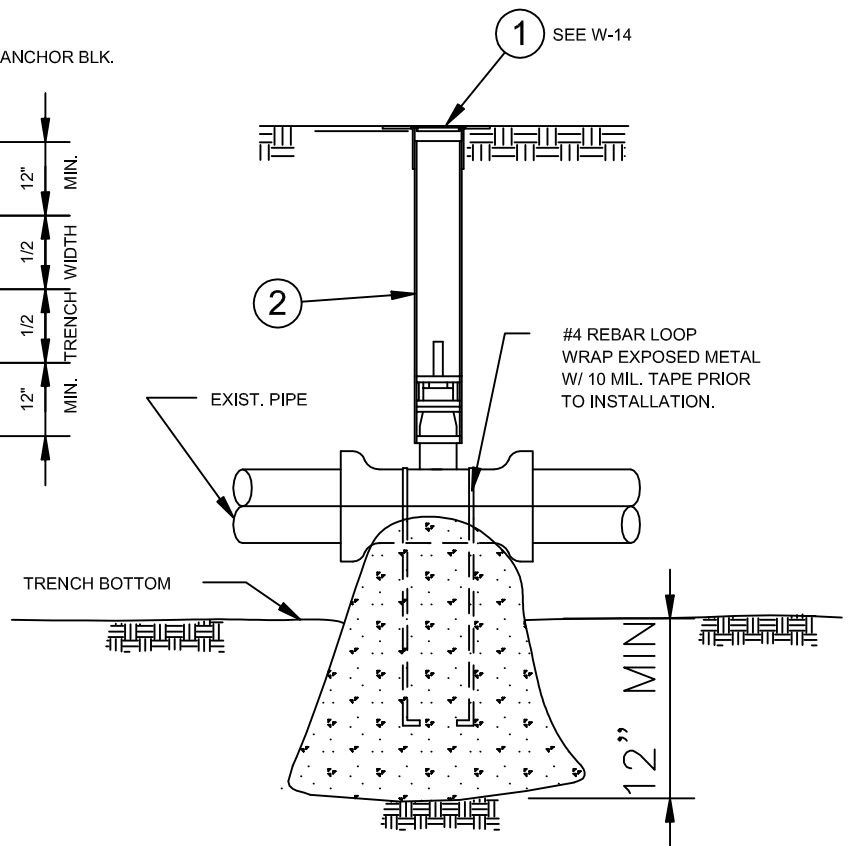


END CAP ASSEMBLY



PLAN



ELEVATION

NOTES:

- 1) NUTS & BOLTS TO BE COATED WITH NO-OXIDE GREASE AND VISQUEEN.
- 2) GATE VALVES TO COMPLY WITH VALLECITOS WATER DISTRICT SPECIFICATIONS.

ITEM	MATERIAL	ITEM	MATERIAL
①	VALVE BOX AND COVER		
②	8" CL. 100 SDR41-WHITE (PIP)		

REVISIONS		
DESCRIPTION	APPROVED	DATE
REMOVED VALVE RISER STEM		9-9-16

VALLECITOS WATER DISTRICT STANDARD DRAWING

**GATE VALVE INSTALLATION
AND CAP ASSEMBLY**

DATE: JULY 2015

BY:

Drawing No.

W-16