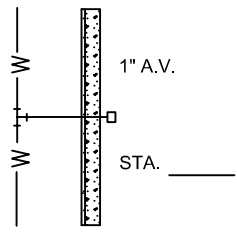
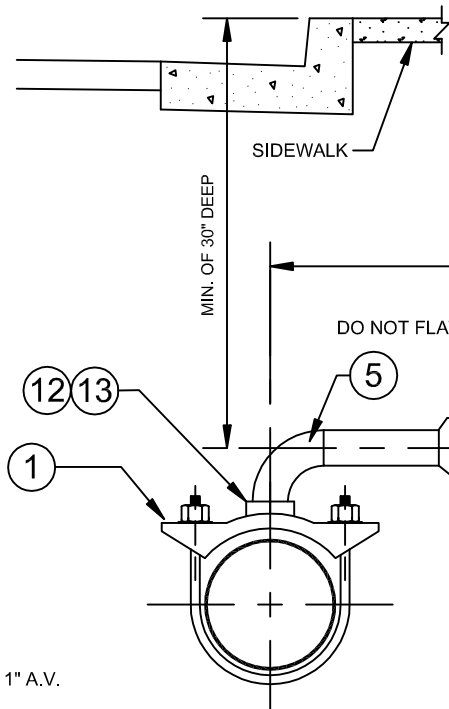
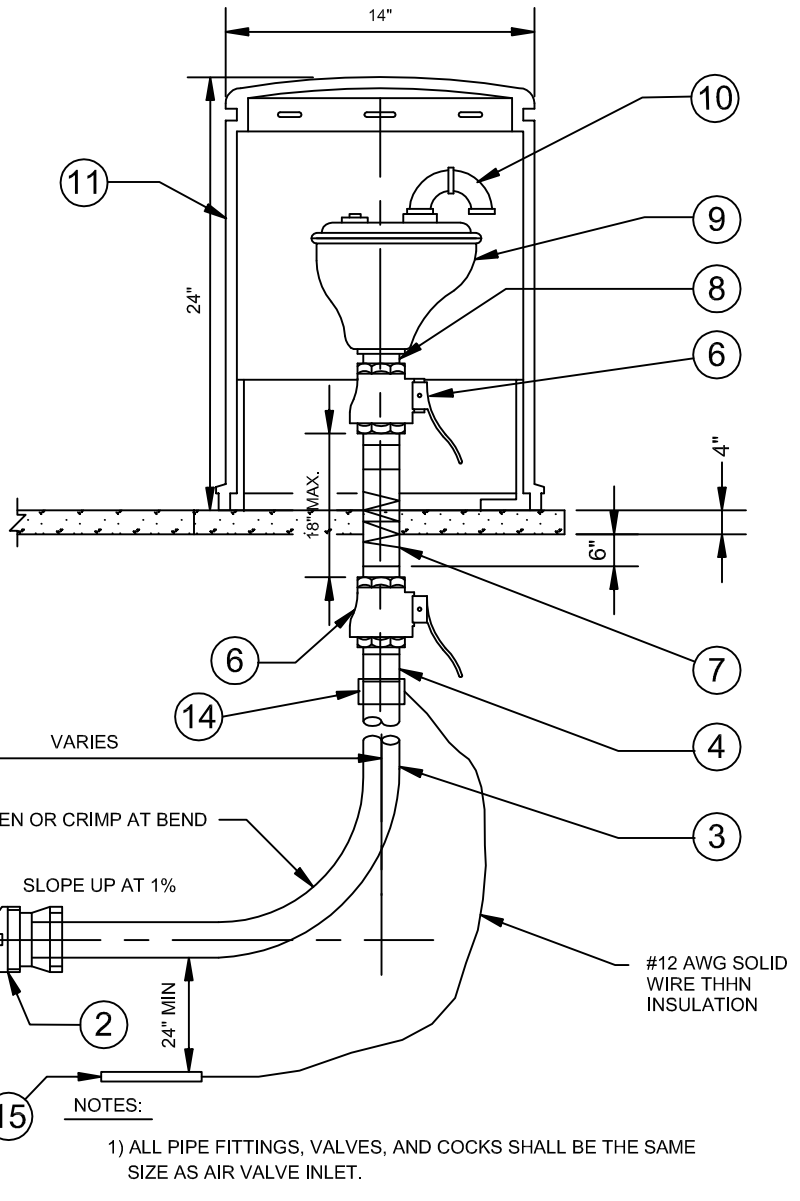


TOP VIEW



LEGEND SYMBOL

- NOTES:
- 1) ALL PIPE FITTINGS, VALVES, AND COCKS SHALL BE THE SAME SIZE AS AIR VALVE INLET.
  - 2) FOR SERVICE INSTALLATIONS GREATER THAN 150psi, ALL COMPRESSION FITTINGS LISTED SHALL BE THREADED
  - 3) ALL JOINTS TO BE 15% SILVER SOLDERED.
  - 4) FOR STEEL PIPE CONNECTION SEE DRAWING W-26.
  - 5) ENCLOSURE MAY BE A COLOR OTHER THAN BLUE IN DESIGN DISTRICTS, WITH VWD APPROVAL. ATTACH "VALLECITOS WATER DISTRICT" TAG TO ENCLOSURE.

ITEM	MATERIAL	ITEM	MATERIAL
①	SADDLE	⑨	COMBINATION AIR AND VACUUM VALVE
②	BALL CORP STOP	⑩	PVC THREADED STREET ELLS W/ BUG SCREEN
③	1" TYPE K SOFT COPPER TUBING	⑪	ENCLOSURE PIPELINE PRODUCTS #VCAS-1424BL
④	COPPER x MIPT ADAPTER	⑫	3000# FORGED STEEL HALF COUPLING (ON STEEL PIPE ONLY)
⑤	1" BRASS 90° STREET ELL., MIPxFIP	⑬	DIELECTRIC INSULATING BUSHING (ON STEEL PIPE ONLY)
⑥	BALL VALVE W/ HANDLE, FIPxFIP	⑭	MECHANICAL GROUNDING CLAMP PER CURRENT VWD MAT. LIST
⑦	1" X 18" BRASS NIPPLE, WRAPPED W/ 2" X 10 MIL TAPE	⑮	ZINC ANODE PER CURRENT VWD MATERIAL LIST
⑧	1" X CLOSE BRASS NIPPLE		

REVISIONS		
DESCRIPTION	APPROVED	DATE
SUPPORTS INSIDE CAN		5-16-08
COPR STOP LOCATION		7-17-07
ENCLOSURE		6-9-11
SADDLE		3-5-12
ADDED ZINC ANODE & CLAMP		3-27-17

**VALLECITOS WATER DISTRICT STANDARD DRAWING**

**1" AUTOMATIC AIR & VACUUM VALVE**

DATE: JULY 2015

BY:

Drawing No.

W-2