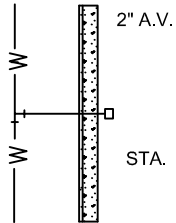
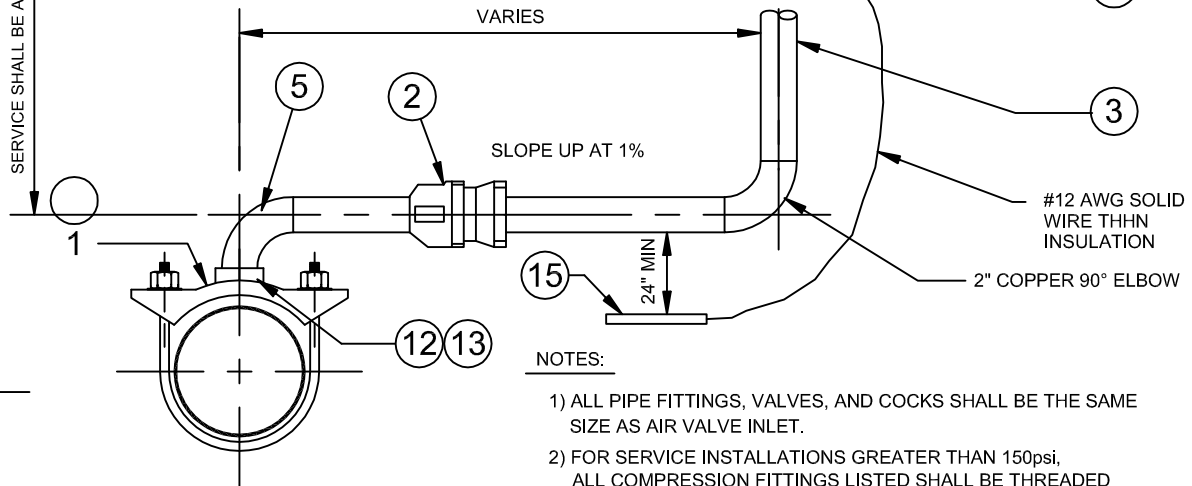
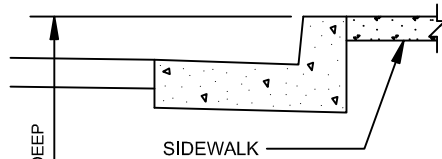
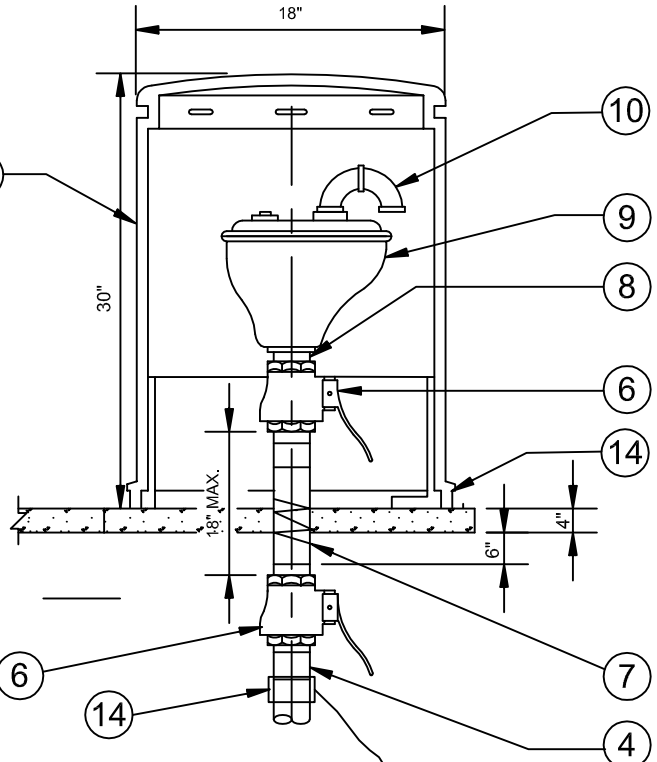


TOP VIEW



LEGEND SYMBOL

- NOTES:
- 1) ALL PIPE FITTINGS, VALVES, AND COCKS SHALL BE THE SAME SIZE AS AIR VALVE INLET.
 - 2) FOR SERVICE INSTALLATIONS GREATER THAN 150psi, ALL COMPRESSION FITTINGS LISTED SHALL BE THREADED WITH MIP ADAPTERS PER APPROVED MATERIAL LIST.
 - 3) ALL JOINTS TO BE 15% SILVER SOLDERED.
 - 4) FOR STEEL PIPE CONNECTION SEE DRAWING W-26.
 - 5) ENCLOSURE MAY BE A COLOR OTHER THAN BLUE IN DESIGN DISTRICTS, WITH VWD APPROVAL. ATTACH "VALLECITOS WATER DISTRICT" TAG TO ENCLOSURE.

ITEM	MATERIAL	ITEM	MATERIAL
(1)	DOUBLE STRAP BRONZE SADDLE W/ BRONZE STRAPS	(9)	COMBINATION AIR & VACUUM VALVE
(2)	BALL CORP STOP	(10)	PVC THREADED STREET ELLS W/ BUG SCREEN
(3)	2" TYPE K SOFT COPPER TUBING	(11)	ENCLOSURE PIPELINE PRODUCTS #V/CAS-1830BL
(4)	COPPER x MIP ADAPTER	(12)	3000# FORGED STEEL HALF COUPLING (ON STEEL PIPE ONLY)
(5)	2" BRASS 90° STREET ELL., MIPxFIP	(13)	DIELECTRIC INSULATING BUSHING (ON STEEL PIPE ONLY)
(6)	BALL VALVE W/ HANDLE, FIPxFIP	(14)	MECHANICAL GROUNDING CLAMP PER CURRENT VWD MAT. LIST
(7)	2" x 18" BRASS NIPPLE / WRAPPED W/ 2" X 10 MIL TAPE	(15)	ZINC ANODE PER CURRENT VWD MATERIAL LIST
(8)	2" CLOSE BRASS NIPPLE		

REVISIONS		
DESCRIPTION	APPROVED	DATE
SUPPORTS INSIDE CAN		5-16-06
COR STOP LOCATION		7-17-07
ENCLOSURE		6-9-11
2" COPPER 90° ELBOW		3-5-12
ADDED ZINC ANODE & CLAMP		3-27-17

VALLECITOS WATER DISTRICT STANDARD DRAWING

2" AUTOMATIC AIR & VACUUM VALVE

DATE: JULY 2015

BY:

Drawing No.

W-3