

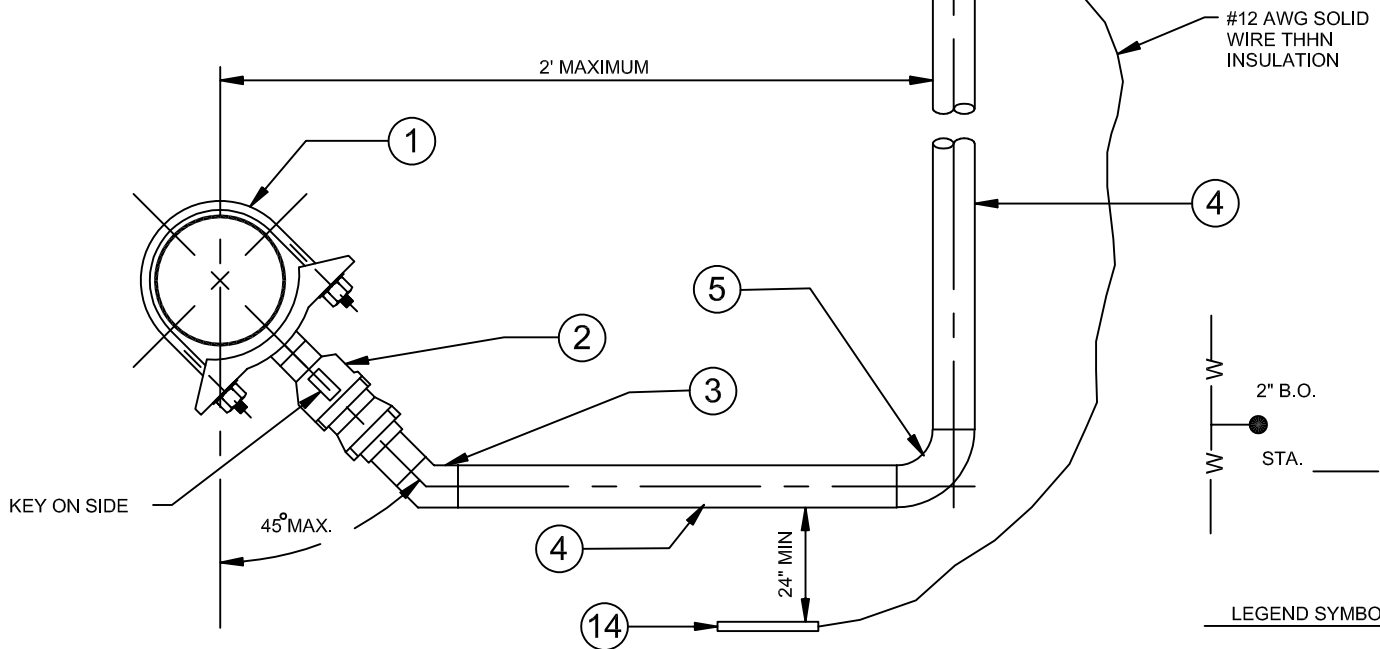
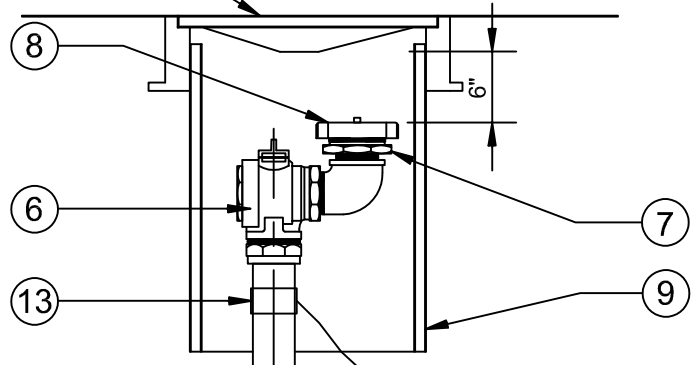
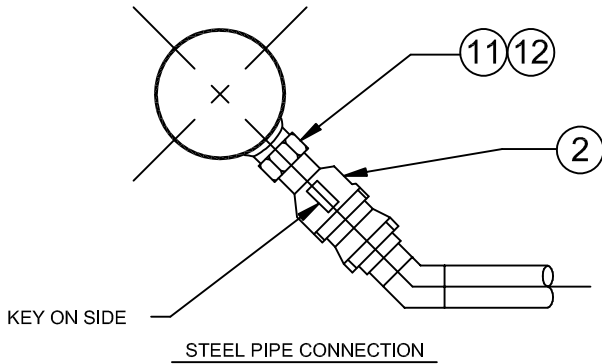
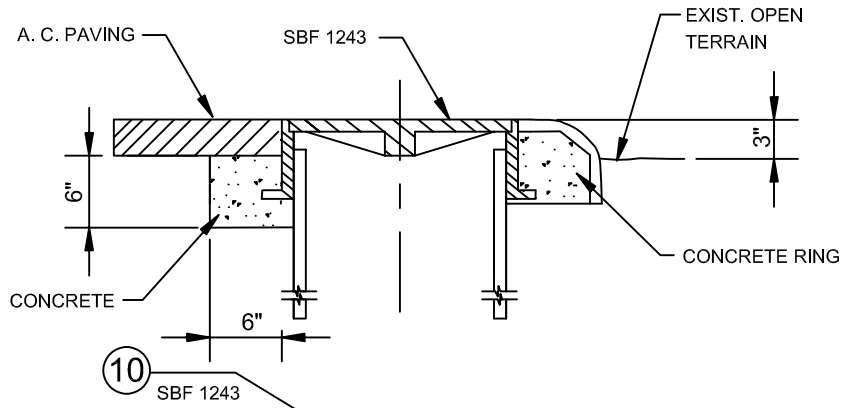
NOTE:

POST WITH EYE HOOKS REQUIRED FOR CHAINING AND LOCKING THE CONSTRUCTION METER.

REVISIONS			VALLECITOS WATER DISTRICT STANDARD DRAWING	DATE: 2-27-18
DESCRIPTION	APPROVED	DATE		BY: P.C.
NEW MAP		2-28-18	CONSTRUCTION METER ON A BLOW-OFF	Drawing No. W-0

NOTES:

- 1) BLOW-OFF SHALL BE LOCATED TO THE SIDE OF THE STREET NEAREST GUTTER/EDGE.
- 2) ALL JOINTS TO BE 15% SILVER SOLDERED.



ITEM	MATERIAL	ITEM	MATERIAL
(1)	SADDLE	(9)	12" OD X 24" SDR-41 CASING, WHITE
(2)	BALL CORP STOP	(10)	FRAME AND COVER
(3)	2" COPPER 45° ELBOW	(11)	3000# FORGED STEEL HALF COUPLING (ON STEEL PIPE ONLY)
(4)	2" TYPE K SOFT COPPER TUBING	(12)	DIELECTRIC INSULATING BUSHING (ON STEEL ONLY)
(5)	2" COPPER 90° ELBOW	(13)	MECHANICAL GROUNDING CLAMP PER CURRENT VWD MAT. LIST
(6)	NL BALL VALVE McDONALD 76109BCAPQ 2	(14)	ZINC ANODE PER CURRENT VWD MATERIAL LIST
(7)	2" X 2 1/2" FIPT X MHT ADAPTER		
(8)	2 1/2" HOSE CAP W/ CHAIN		

REVISIONS		
DESCRIPTION	APPROVED	DATE
ADDED NL BALL VALVE 74606BQ		9-8-16
ADDED ZINC ANODE & CLAMP		3-27-17
NEW BALL VALVE & REMOVE ELBOW		9-13-18

VALLECITOS WATER DISTRICT STANDARD DRAWING

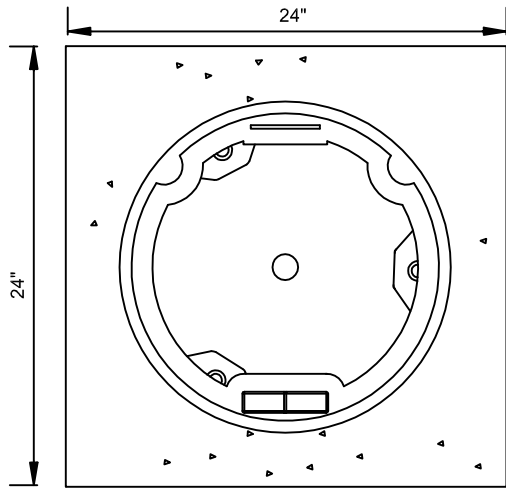
2" BLOW-OFF ASSEMBLY

DATE: JULY 2015

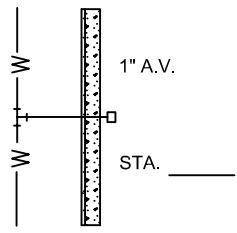
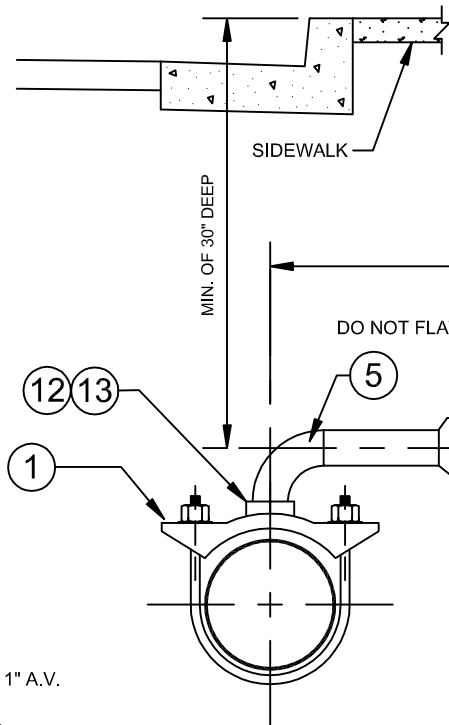
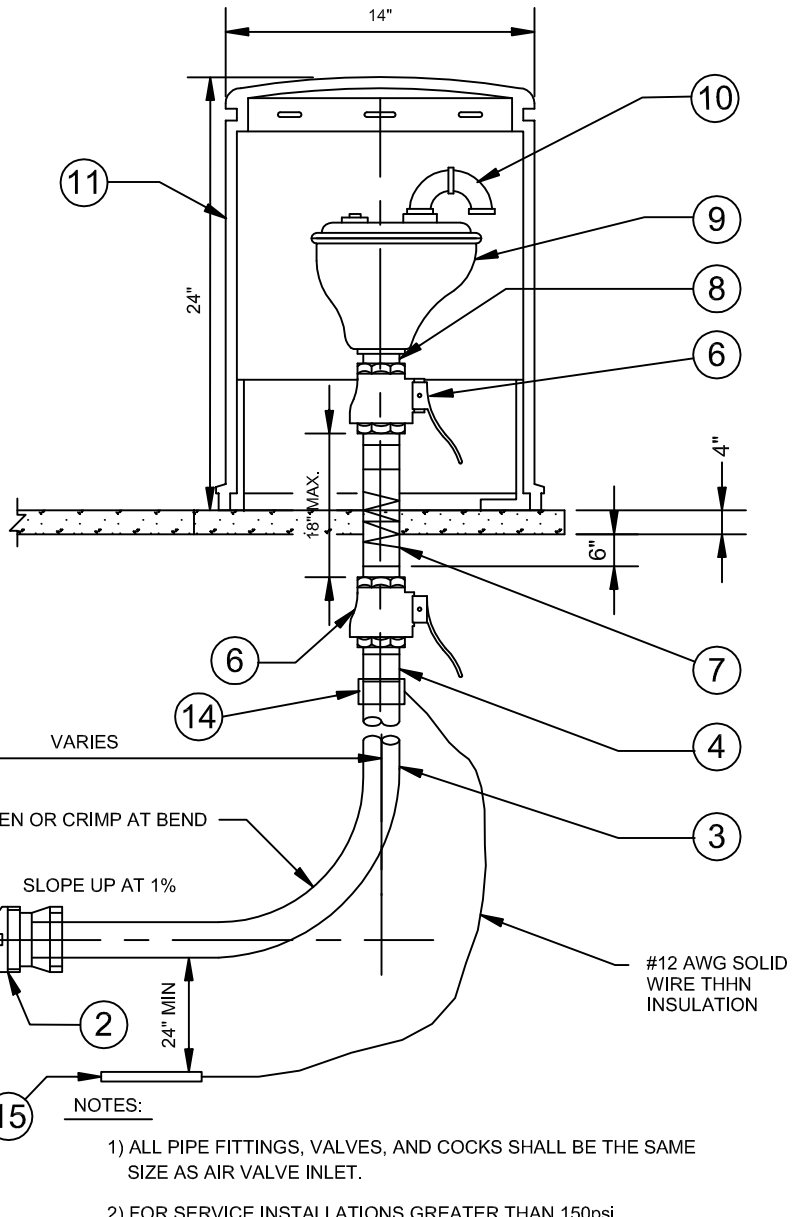
BY: _____

Drawing No.

W-1



TOP VIEW



LEGEND SYMBOL

NOTES:

- 1) ALL PIPE FITTINGS, VALVES, AND COCKS SHALL BE THE SAME SIZE AS AIR VALVE INLET.
- 2) FOR SERVICE INSTALLATIONS GREATER THAN 150psi, ALL COMPRESSION FITTINGS LISTED SHALL BE THREADED
- 3) ALL JOINTS TO BE 15% SILVER SOLDERED.
- 4) FOR STEEL PIPE CONNECTION SEE DRAWING W-26.
- 5) ENCLOSURE MAY BE A COLOR OTHER THAN BLUE IN DESIGN DISTRICTS, WITH VWD APPROVAL. ATTACH "VALLECITOS WATER DISTRICT" TAG TO ENCLOSURE.

ITEM	MATERIAL	ITEM	MATERIAL
(1)	SADDLE	(9)	COMBINATION AIR AND VACUUM VALVE
(2)	BALL CORP STOP	(10)	PVC THREADED STREET ELLS W/ BUG SCREEN
(3)	1" TYPE K SOFT COPPER TUBING	(11)	ENCLOSURE PIPELINE PRODUCTS #VCAS-1424BL
(4)	COPPER x MIPT ADAPTER	(12)	3000# FORGED STEEL HALF COUPLING (ON STEEL PIPE ONLY)
(5)	1" BRASS 90° STREET ELL., MIPxFIP	(13)	DIELECTRIC INSULATING BUSHING (ON STEEL PIPE ONLY)
(6)	BALL VALVE W/ HANDLE, FIPxFIP	(14)	MECHANICAL GROUNDING CLAMP PER CURRENT VWD MAT. LIST
(7)	1" X 18" BRASS NIPPLE, WRAPPED W/ 2" X 10 MIL TAPE	(15)	ZINC ANODE PER CURRENT VWD MATERIAL LIST
(8)	1" X CLOSE BRASS NIPPLE		

REVISIONS		
DESCRIPTION	APPROVED	DATE
SUPPORTS INSIDE CAN		5-16-08
COPR STOP LOCATION		7-17-07
ENCLOSURE		6-9-11
SADDLE		3-5-12
ADDED ZINC ANODE & CLAMP		3-27-17

VALLECITOS WATER DISTRICT STANDARD DRAWING

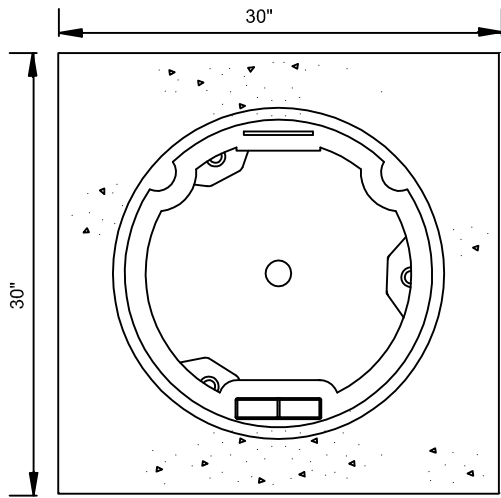
1" AUTOMATIC AIR & VACUUM VALVE

DATE: JULY 2015

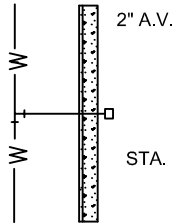
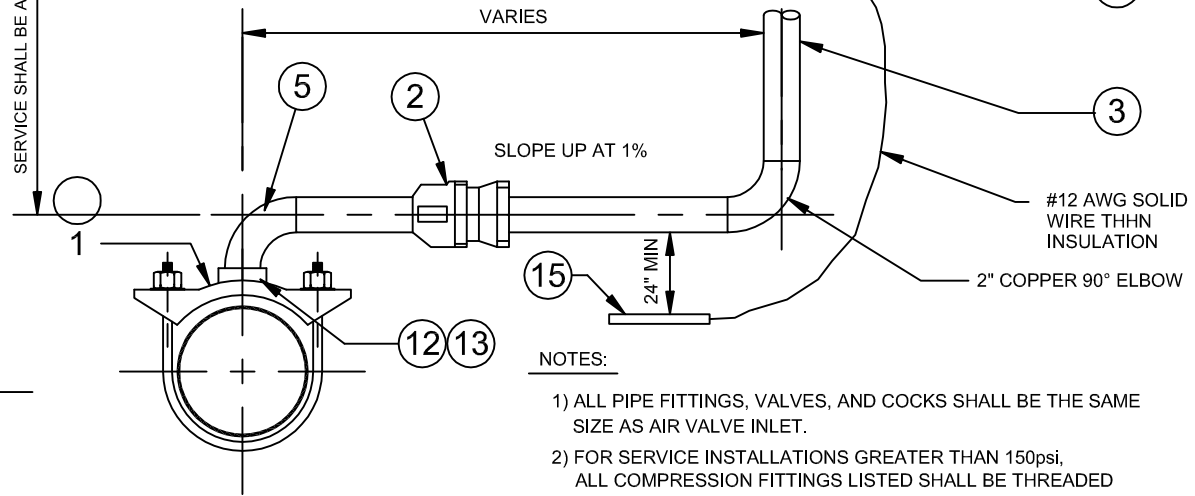
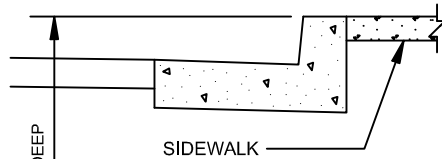
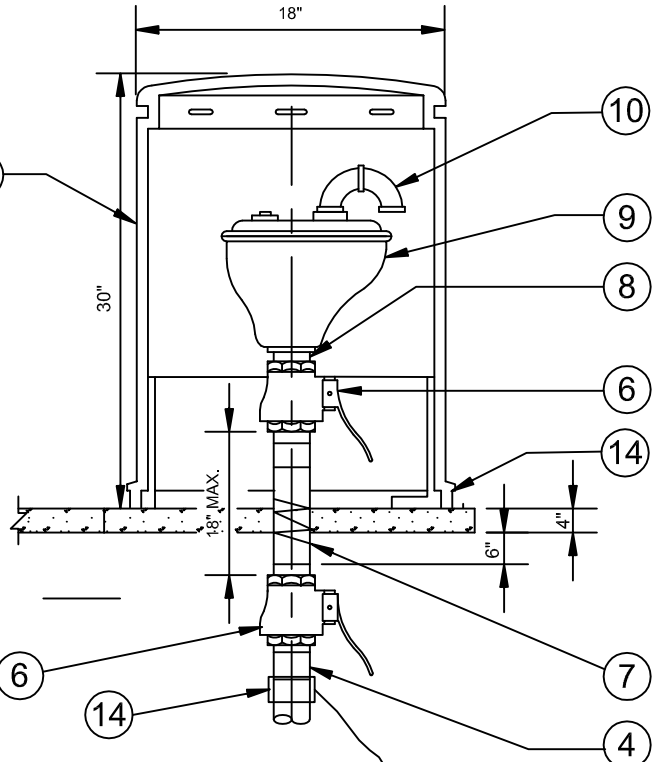
BY:

Drawing No.

W-2



TOP VIEW



LEGEND SYMBOL

- NOTES:
- 1) ALL PIPE FITTINGS, VALVES, AND COCKS SHALL BE THE SAME SIZE AS AIR VALVE INLET.
 - 2) FOR SERVICE INSTALLATIONS GREATER THAN 150psi, ALL COMPRESSION FITTINGS LISTED SHALL BE THREADED WITH MIP ADAPTERS PER APPROVED MATERIAL LIST.
 - 3) ALL JOINTS TO BE 15% SILVER SOLDERED.
 - 4) FOR STEEL PIPE CONNECTION SEE DRAWING W-26.
 - 5) ENCLOSURE MAY BE A COLOR OTHER THAN BLUE IN DESIGN DISTRICTS, WITH VWD APPROVAL. ATTACH "VALLECITOS WATER DISTRICT" TAG TO ENCLOSURE.

ITEM	MATERIAL	ITEM	MATERIAL
(1)	DOUBLE STRAP BRONZE SADDLE W/ BRONZE STRAPS	(9)	COMBINATION AIR & VACUUM VALVE
(2)	BALL CORP STOP	(10)	PVC THREADED STREET ELLS W/ BUG SCREEN
(3)	2" TYPE K SOFT COPPER TUBING	(11)	ENCLOSURE PIPELINE PRODUCTS #V/CAS-1830BL
(4)	COPPER x MIP ADAPTER	(12)	3000# FORGED STEEL HALF COUPLING (ON STEEL PIPE ONLY)
(5)	2" BRASS 90° STREET ELL., MIPxFIP	(13)	DIELECTRIC INSULATING BUSHING (ON STEEL PIPE ONLY)
(6)	BALL VALVE W/ HANDLE, FIPxFIP	(14)	MECHANICAL GROUNDING CLAMP PER CURRENT VWD MAT. LIST
(7)	2" x 18" BRASS NIPPLE / WRAPPED W/ 2" X 10 MIL TAPE	(15)	ZINC ANODE PER CURRENT VWD MATERIAL LIST
(8)	2" CLOSE BRASS NIPPLE		

REVISIONS		
DESCRIPTION	APPROVED	DATE
SUPPORTS INSIDE CAN		5-16-06
COR STOP LOCATION		7-17-07
ENCLOSURE		6-9-11
2" COPER 90° ELBOW		3-5-12
ADDED ZINC ANODE & CLAMP		3-27-17

VALLECITOS WATER DISTRICT STANDARD DRAWING

2" AUTOMATIC AIR & VACUUM VALVE

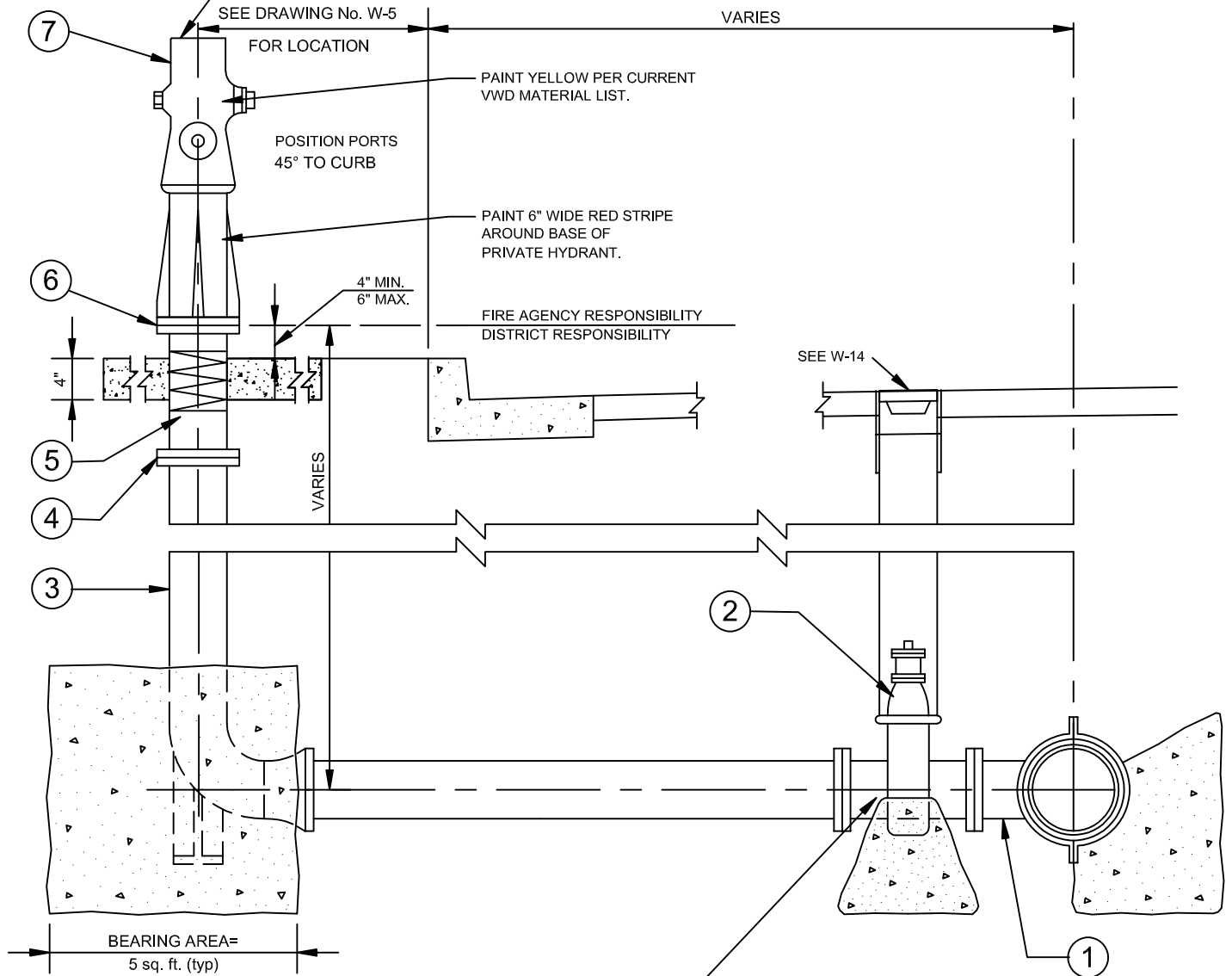
DATE: JULY 2015

BY:

Drawing No.

W-3

COLOR CODING FOR FIRE FLOWS
WILL BE REQUIRED PER THE DIRECTION
OF LOCAL FIRE JURISDICTION

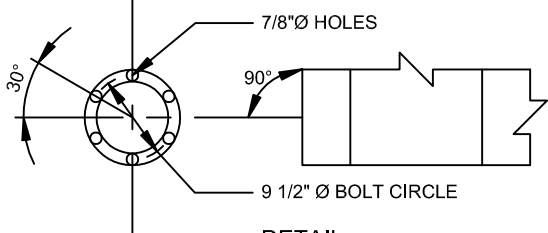


SEE W-14

FIRE AGENCY RESPONSIBILITY
DISTRICT RESPONSIBILITY

BEARING AREA=
5 sq. ft. (typ)

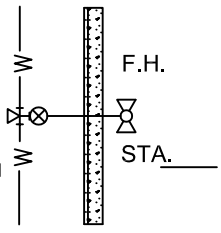
REFER TO STD. DRAWING
No. W-16 FOR GATE
VALVE INSTALLATION



DETAIL
HYDRANT BASE FLANGE HOLES
AND HYDRANT ELL FLANGE HOLES

NOTES:

- 1) ALL NUTS & BOLTS BELOW GROUND SHALL BE COATED WITH NO-OXIDE GREASE AND VISQUEEN.
- 2) FL x FL VALVES REQUIRE FL x PO ADAPTER PER MATERIALS LIST.
- 3) WARNING TAPE AND TRACER WIRE SHALL BE INSTALLED PER W-18.



LEGEND

ITEM	MATERIAL	ITEM	MATERIAL
(1)	MAIN SIZE x 6" FLG TEE	(6)	PLATED BREAK-OFF NUTS AND BOLTS W/ RING GASKET
(2)	6" PO x FL VALVE	(7)	FIRE HYDRANT
(3)	6" PO x FL BURY SHORT RADIUS		
(4)	PLATED NUTS AND BOLTS W/ RING GASKET		
(5)	18" MIN. BREAK-OFF SPOOL, DOUBLE SCORE, W/ 2" x 10 MIL TAPE		

REVISIONS		
DESCRIPTION	APPROVED	DATE
REMOVED ADAPTOR & VALVE STEM		9-9-16
ADDED PAINT NOTES		5-9-17
CLARIFIED AGENCY RESPONSIBILITY		11-14-22
ADDED TRACER WIRE NOTE 3		11-29-22

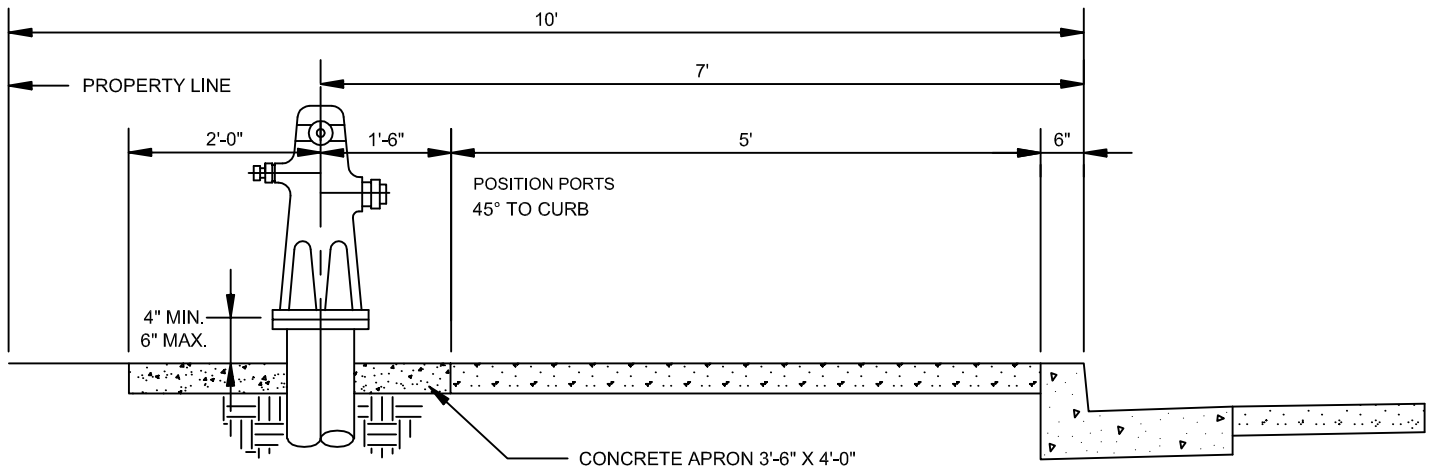
VALLECITOS WATER DISTRICT STANDARD DRAWING

FIRE HYDRANT INSTALLATION

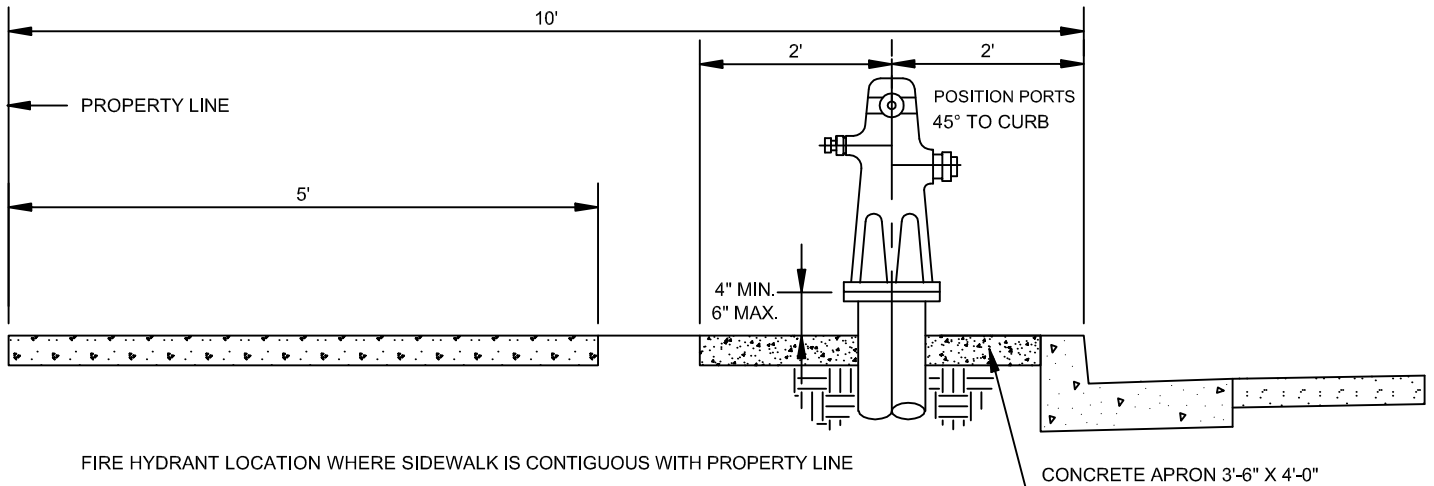
DATE: JAN. 04

BY:

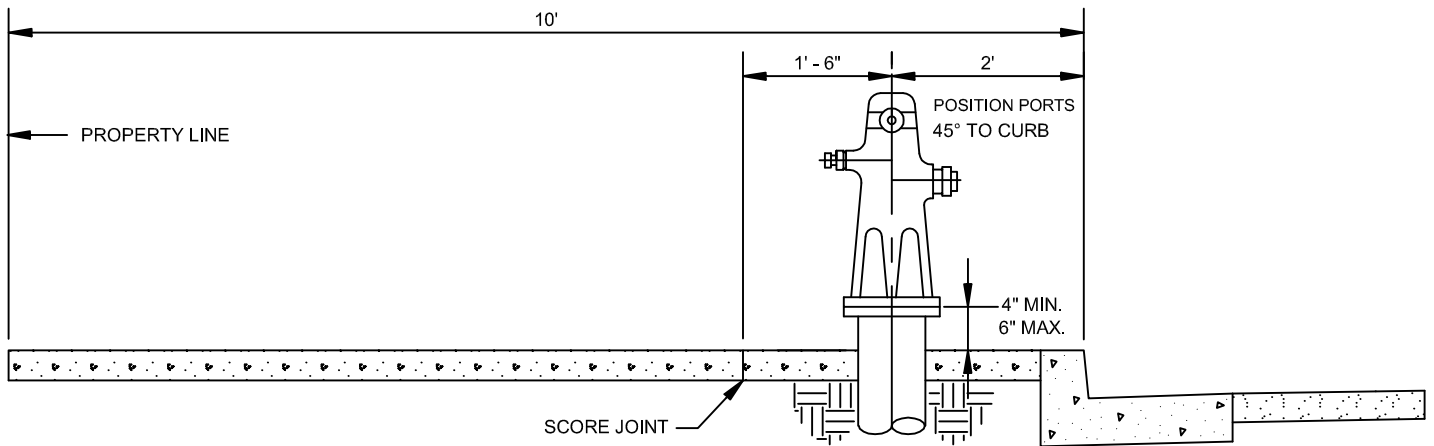
Drawing No.
W-4



FIRE HYDRANT LOCATION WHERE SIDEWALK IS CONTIGUOUS WITH CURB



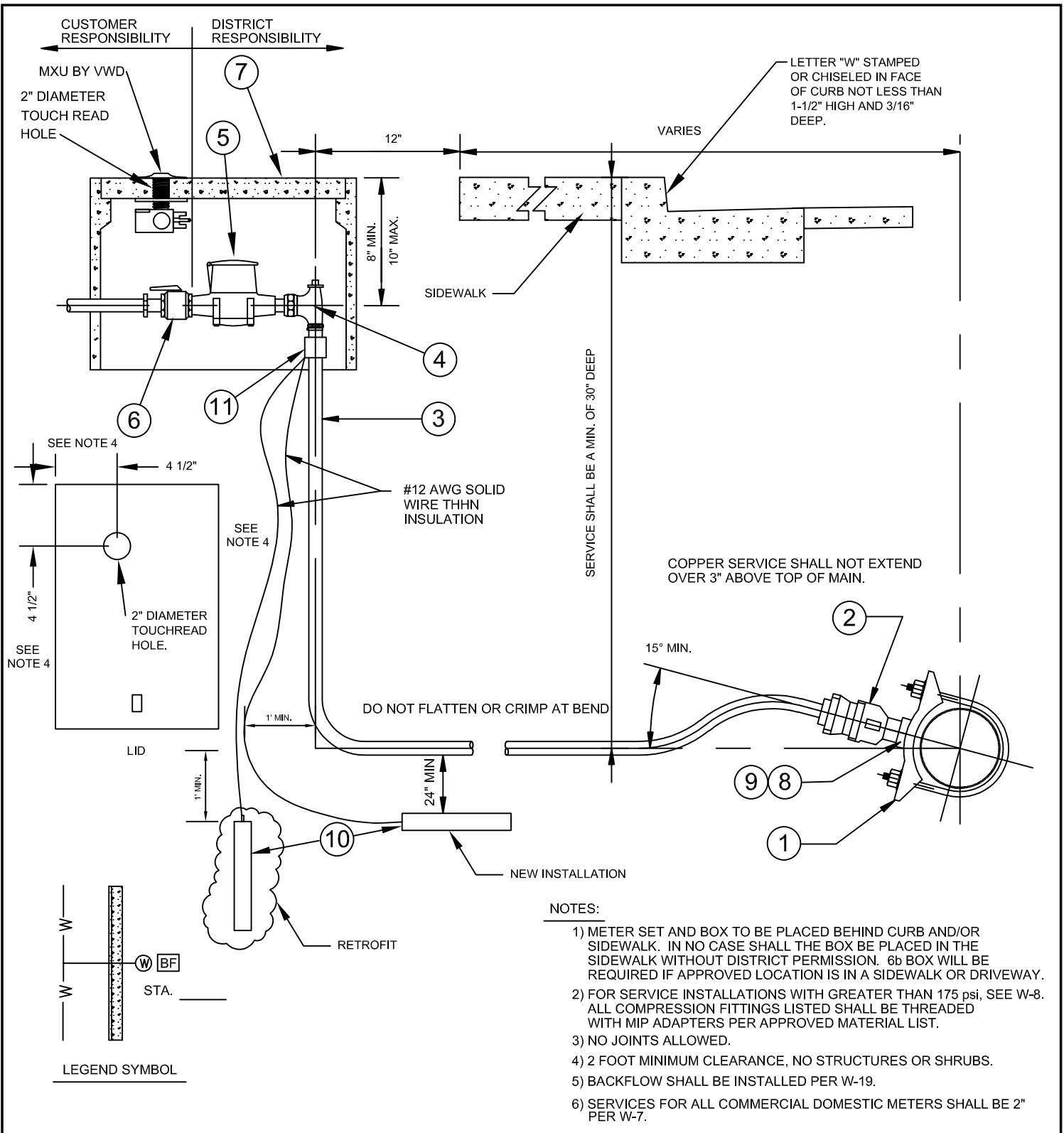
FIRE HYDRANT LOCATION WHERE SIDEWALK IS CONTIGUOUS WITH PROPERTY LINE



FIRE HYDRANT LOCATION WHERE SIDEWALK OCCUPIES FULL WIDTH OF PARKWAY STRIP

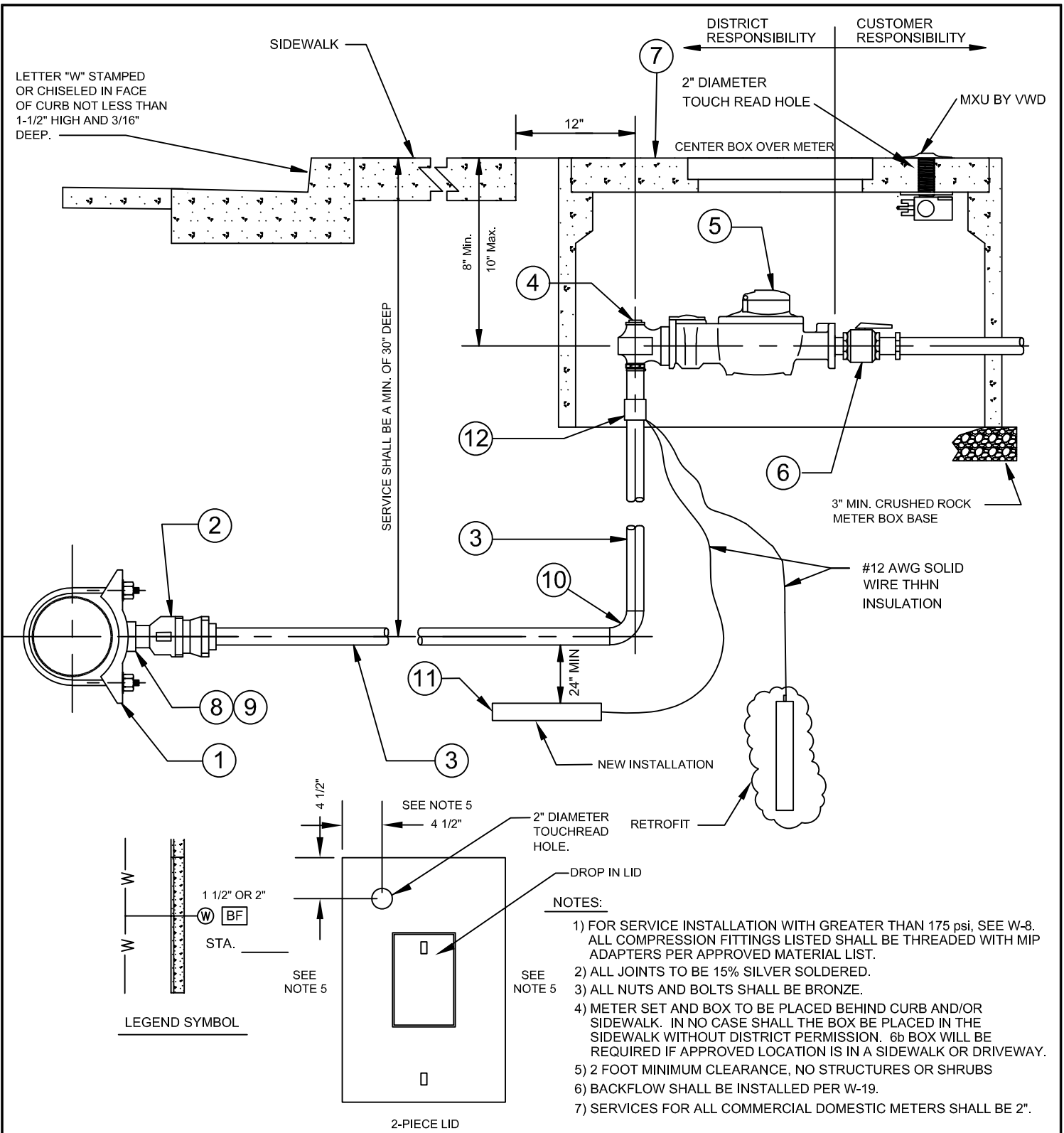
NOTE: A 10' MIN. HORIZONTAL OFFSET FROM EDGE OF DRIVEWAY ENTRANCES IS REQUIRED

REVISIONS			VALLECITOS WATER DISTRICT STANDARD DRAWING	DATE: JAN. 04
DESCRIPTION	APPROVED	DATE		BY:
POSITION PORTS 45° TO CURB		7-17-07	STANDARD FIRE HYDRANT LOCATIONS WHERE CURBS ARE INSTALLED	Drawing No.
				W-5



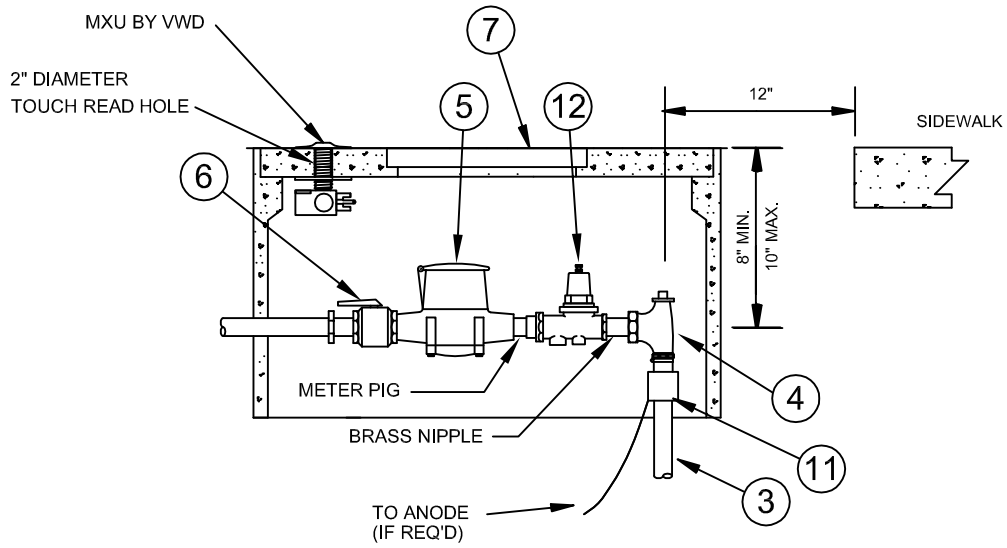
ITEM	MATERIAL	ITEM	MATERIAL
(1)	SADDLE	(6)	BALL VALVE W/ HANDLE
(2)	BALL CORP STOP	(7)	POLYMER CONCRETE METER BOX W/ LID
(3)	1" TYPE "K" SOFT COPPER TUBING	(8)	3000# FORGED STEEL HALF COUPLING (STEEL PIPE ONLY)
(4)	BALL ANGLE METER STOP WITH 1 x 3/4 BRASS METER BUSHING FOR 3/4" METER SET	(9)	DIELECTRIC INSULATING BUSHING (STEEL PIPE ONLY)
(5)	WATER METER	(10)	ZINC ANODE PER CURRENT VWD MATERIALS LIST
		(11)	MECHANICAL GROUNDING CLAMP PER CURRENT VWD MAT. LIST

REVISIONS			VALLECITOS WATER DISTRICT STANDARD DRAWING	DATE: JULY 2015
DESCRIPTION	APPROVED	DATE		BY:
ADDED CUSTOMER RESPONSIBILITY		3/3/23	WATER SERVICE CONNECTION (3/4" AND 1" METER)	Drawing No. W-6
ANODE & CLAMP, 1x3/4 BUSHING		3 & 8-17		
CHANGED PSI		2-28-18		
ADDED NOTE 4		4/12/21		
ADDED NOTES 5 & 6		7/27/22		

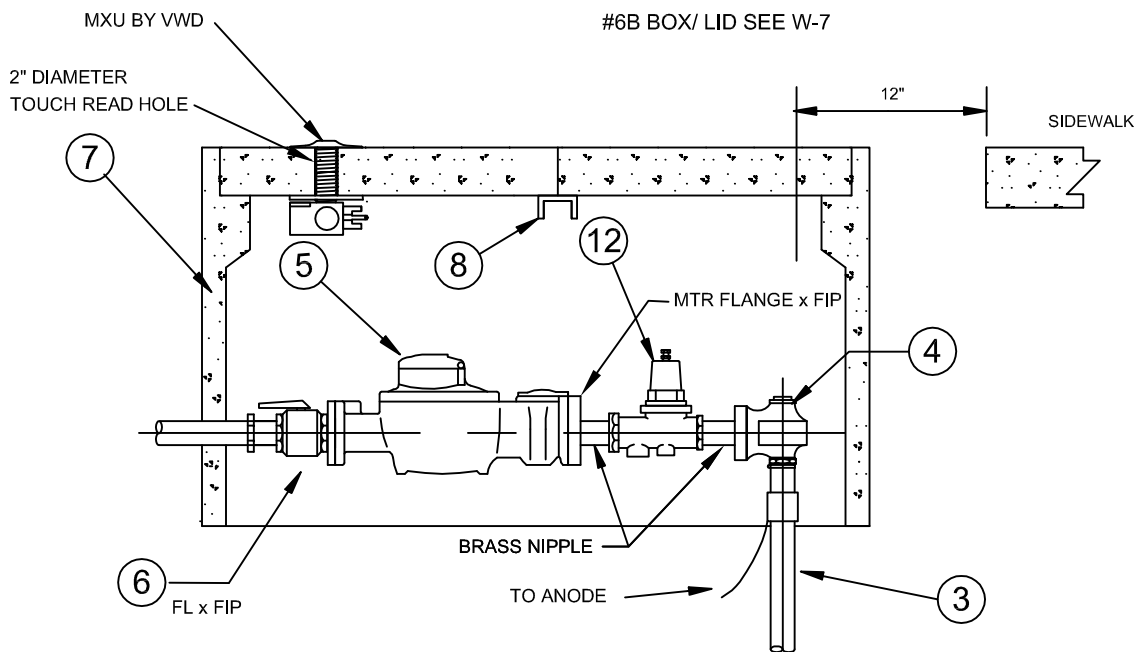


ITEM	MATERIAL	ITEM	MATERIAL
1	SADDLE	7	POLYMER CONCRETE METER BOX W/ 2-PIECE LID
2	BALL CORP. STOP	8	3000# FORGED STEEL HALF COUPLING (ON STEEL PIPE ONLY)
3	2" K - SOFT COPPER TUBING	9	DIELECTRIC INSULATING BUSHING (ON STEEL ONLY)
4	BALL ANGLE METER STOP	10	2" COPPER 90° ELBOW
5	WATER METER (MFR. DATE WITHIN 1 YEAR OF SCHED. UNLOCK DAY)	11	ZINC ANODE PER CURRENT VWD MATERIAL LIST
6	BALL VALVE W/ HANDLE	12	MECHANICAL GROUNDING CLAMP PER CURRENT VWD MAT. LIST

REVISIONS			VALLECITOS WATER DISTRICT STANDARD DRAWING	DATE: JULY 2015
DESCRIPTION	APPROVED	DATE		BY:
ADDED CUSTOMER RESPONSIBILITY		3/3/23	2" WATER SERVICE CONNECTION (1-1/2" & 2" METER)	Drawing No. W-7
ADDED ZINC ANODE & CLAMP		3/27/17		
CHANGED PSI		2/28/18		
ADDED NOTE 5 ABOVE		4/12/21		
ADDED NOTES 6 & 7		7/27/22		



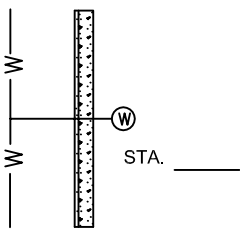
3/4" THROUGH 1" METER W/ REGULATOR,
#6B BOX/ LID SEE W-7



1 1/2" & 2" METER W/ REGULATOR,
ARMORCAST A6001430PCX18
TWO - PIECE LID
OR APPROVED EQUAL

NOTES:

- 1) METER SET AND BOX TO BE PLACED BEHIND CURB AND/OR SIDEWALK. IN NO CASE SHALL THE BOX BE PLACED IN THE SIDEWALK WITHOUT DISTRICT PERMISSION.
- 2) TO PROTECT THE DISTRICT METER, A PRESSURE REGULATOR IS REQUIRED FOR PRESSURES GREATER THAN 175 PSI.
- 3) NO JOINTS ALLOWED



LEGEND SYMBOL

ITEM	MATERIAL	ITEM	MATERIAL
(1)	SEE W - 6, W - 7	(7)	POLYMER CONCRETE METER BOX W/ LID
(2)	SEE W - 6, W - 7	(8)	STEEL SUPPORT BEAM
(3)	TYPE "K" SOFT COPPER TUBING, PER APP'D SIZE	(9)	
(4)	BALL ANGLE METER STOP FIP X FIP	(10)	
(5)	WATER METER	(11)	PIPE CLAMP W/ LUG, COVERED W/ DIELECTRIC COATING
(6)	BALL VALVE W/ HANDLE	(12)	PRESSURE REGULATOR, SAME SIZE AS METER

REVISIONS		
DESCRIPTION	APPROVED	DATE
POLYMER CONCRETE BOX/ LID		2-16-12
ADDED 150 PSI TO TITLE		3-27-17
CHANGED 150 PSI TO 175 PSI		2-27-18
CHANGED ANGLE METER STOP		4-3-18

VALLECITOS WATER DISTRICT STANDARD DRAWING

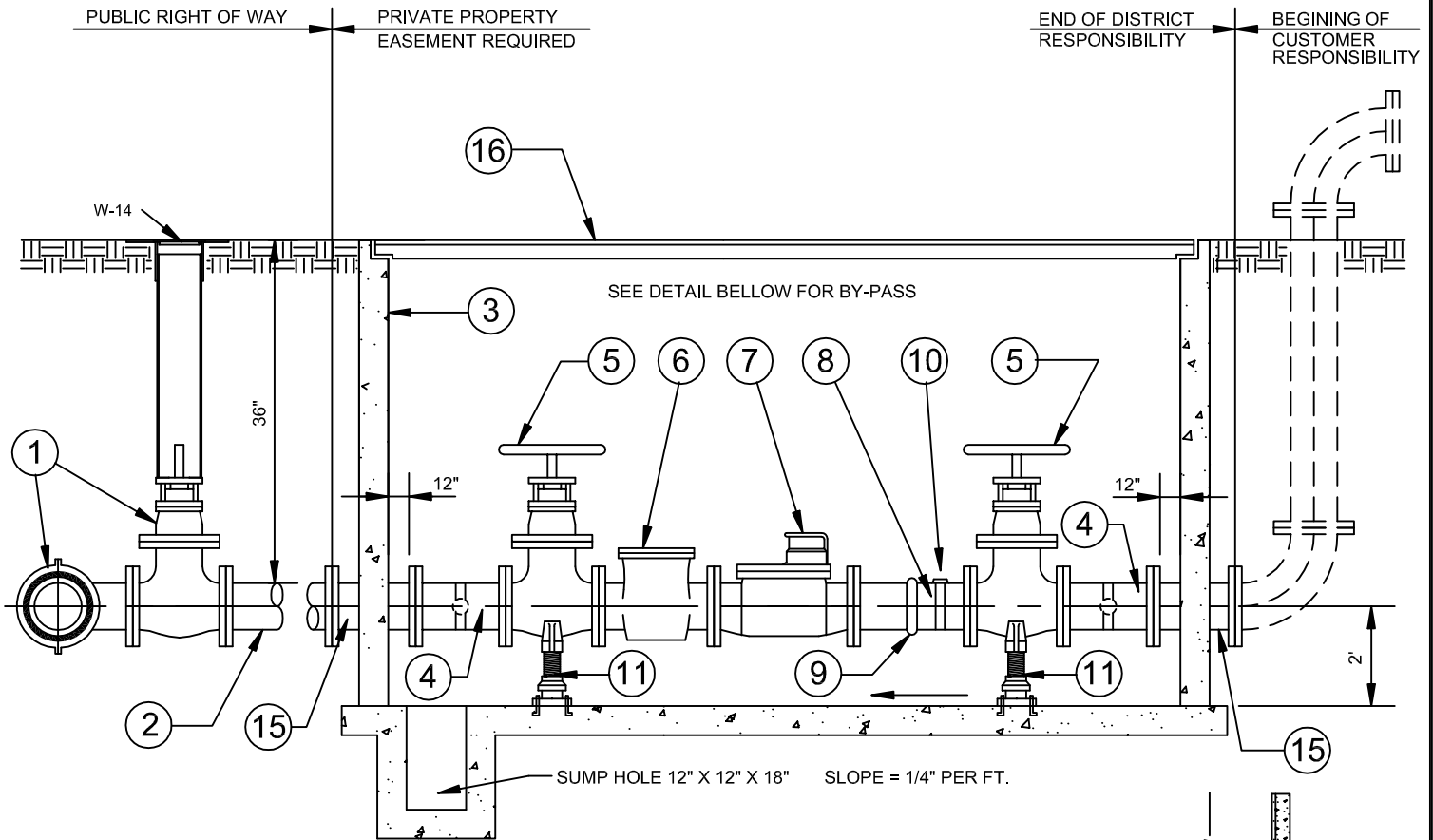
HIGH PRESSURE (175 PSI+)
WATER METER CONNECTION
(3/4" THROUGH 2" METERS)

DATE: JULY 2015

BY:

Drawing No.

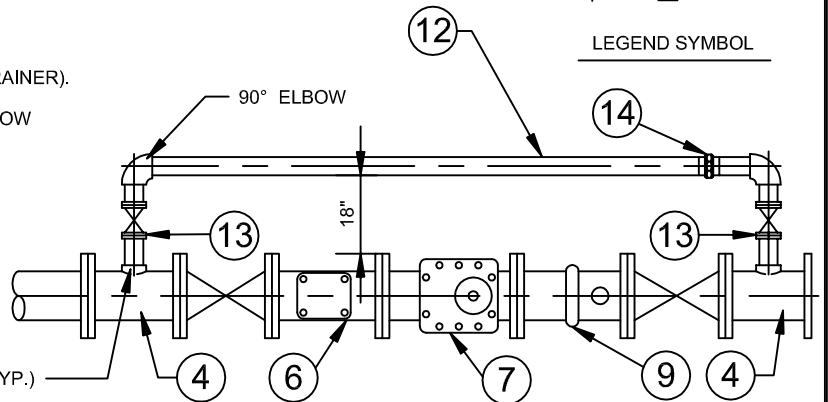
W-8



NOTES:

- 1) SUBSTITUTIONS IN MATERIAL SHALL NOT BE MADE WITHOUT APPROVAL OF THE DISTRICT.
- 2) A MINIMUM OF 24" CLEARANCE SHALL BE MAINTAINED BETWEEN THE VAULT AND ALL FACILITIES.
- 3) PIPE LENGTH SHALL BE VERIFIED IN THE FIELD.
- 4) ALL EXPOSED PIPING AND BOLTS SHALL BE PAINTED BLUE PER CURRENT VWD MATERIAL LIST (EXCLUDING METER AND STRAINER).
- 5) REFER TO STANDARD DRAWINGS FOR INSTALLATION OF BACKFLOW PREVENTION DEVICE.
- 6) 2" OUTLET SHALL BE (3) PIPE DIAMETERS MINIMUM DOWNSTREAM OF THE WATER METER.
- 7) BRASS BOLTS AND NUTS SHALL BE USED FOR ALL CONNECTIONS TO THE WATER METER AND STRAINER.
- 8) ACCESS LADDER REQUIRED IF VAULT IS OVER 3' DEEP PER VWD INSPECTOR'S DIRECTION.

2 1/2" OUTLET W/ 2 1/2" x 2" INS. BUSHING (TYP.)



ITEM	MATERIAL	ITEM	MATERIAL
(1)	TAPPING GATE VALVE & TEE	(9)	VICTAULIC COUPLING
(2)	SPOOL, SAME MATERIAL AS MAIN LINE	(10)	D.I.P. SADDLE
(3)	PRE-CAST VAULT	(11)	VALVE SUPPORT STAND W/ SADDLE TOP
(4)	D.I.P. SPOOL W/ SADDLE	(12)	2" HARD COPPER OR RED BRASS BY-PASS
(5)	GATE VALVE W / HANDWHEEL	(13)	2" LOCK WING BALL VALVE, BRASS
(6)	STRAINER	(14)	UNION (HARD COPPER OR RED BRASS)
(7)	TURBINE METER	(15)	FLANGED SPOOL
(8)	FL x VICTAULIC SPOOL	(16)	ALUMINUM, SPRING ASSIST LID

REVISIONS		
DESCRIPTION	APPROVED	DATE
REMOVED VALVE STEM EXTENSION		9-9-16

VALLECITOS WATER DISTRICT STANDARD DRAWING

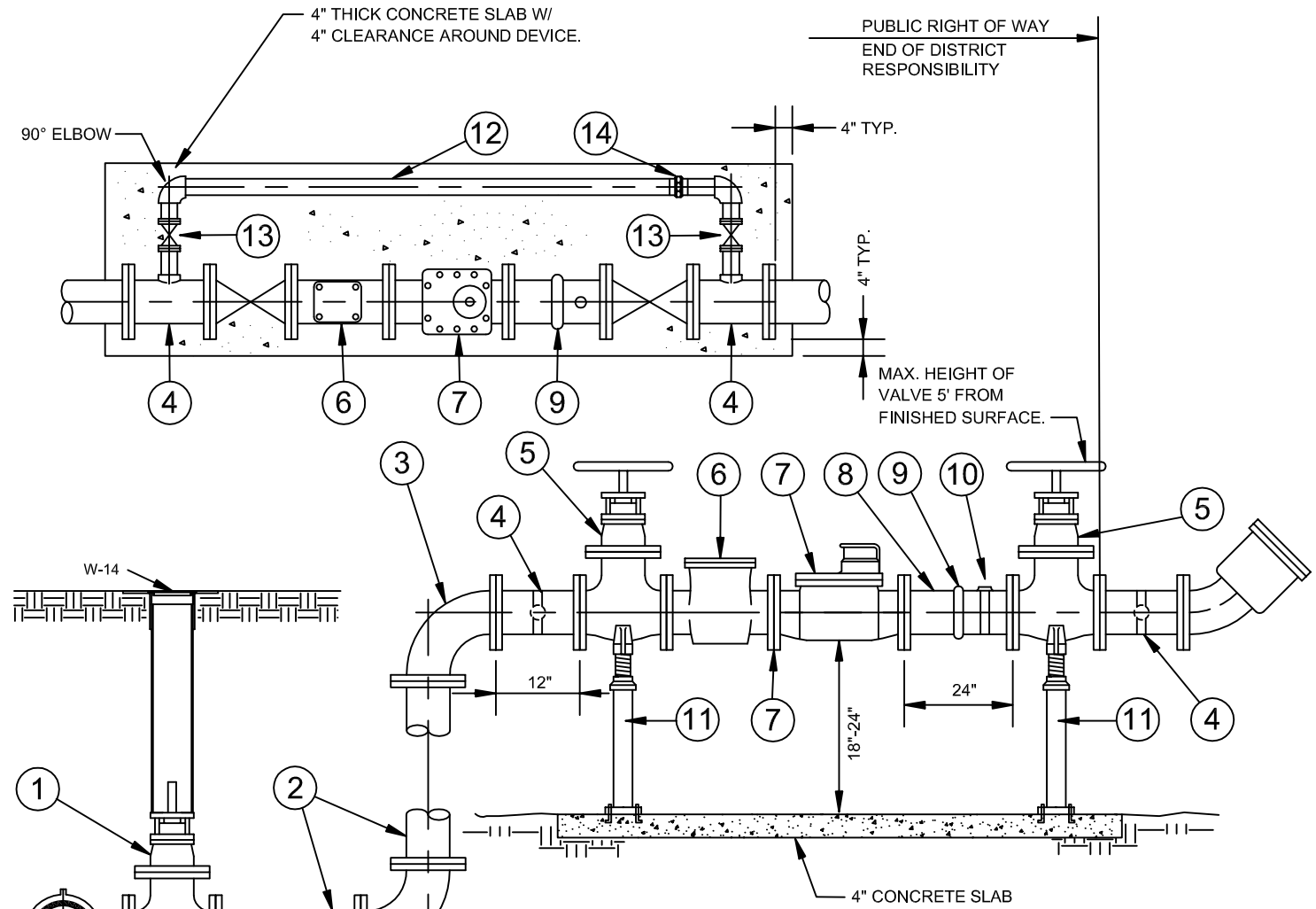
**3" - 4" - 6" METER
(BELOW GROUND)
WITH BY-PASS**

DATE: JULY 2015

BY:

Drawing No.

W-9



NOTES:

- 1) SUBSTITUTIONS IN MATERIAL SHALL NOT BE MADE WITHOUT APPROVAL OF THE DISTRICT.
- 2) PIPE LENGTH SHALL BE VERIFIED IN THE FIELD.
- 3) ALL EXPOSED PIPING AND BOLTS SHALL BE PAINTED BLUE PER CURRENT VWD MATERIAL LIST (EXCLUDING METER AND STRAINER).
- 4) REFER TO STANDARD DRAWINGS FOR INSTALLATION OF BACKFLOW PREVENTION DEVICE.
- 5) 2" OUTLET FOR 6" METER INTALLATION SHALL BE (3) PIPE DIAMETERS MINIMUM DOWNSTREAM OF THE WATER METER.
- 6) BRASS BOLTS AND NUTS SHALL BE USED FOR ALL CONNECTIONS TO THE WATER METER AND STRAINER.
- 7) USE 4" PIPING AND VALVES FOR 3" & 4" METERS. USE 6" PIPING AND VALVES FOR 6" METER.

ITEM	MATERIAL	ITEM	MATERIAL
1	GATE VALVE	8	FL x VICTAULIC SPOOL
2	SPOOL, SAME MATERIAL AS MAIN LINE	9	VICTAULIC COUPLING
3	FL. 90° ELBOW	10	D.I.P. SADDLE
4	D.I.P. SPOOL W/ SADDLE	11	VALVE SUPPORT STAND W/ SADDLE TOP
5	GATE VALVE W/ HANDWHEEL	12	2" HARD COPPER OR RED BRASS BY-PASS
6	STRAINER	13	2" LOCK WING BALL VALVE, BRASS
7	TURBINE METER	14	UNION (HARD COPPER OR RED BRASS)

REVISIONS		
DESCRIPTION	APPROVED	DATE
REMOVED VALVE RISER STEM & REMOVED 45° ELBOW		9-9-16

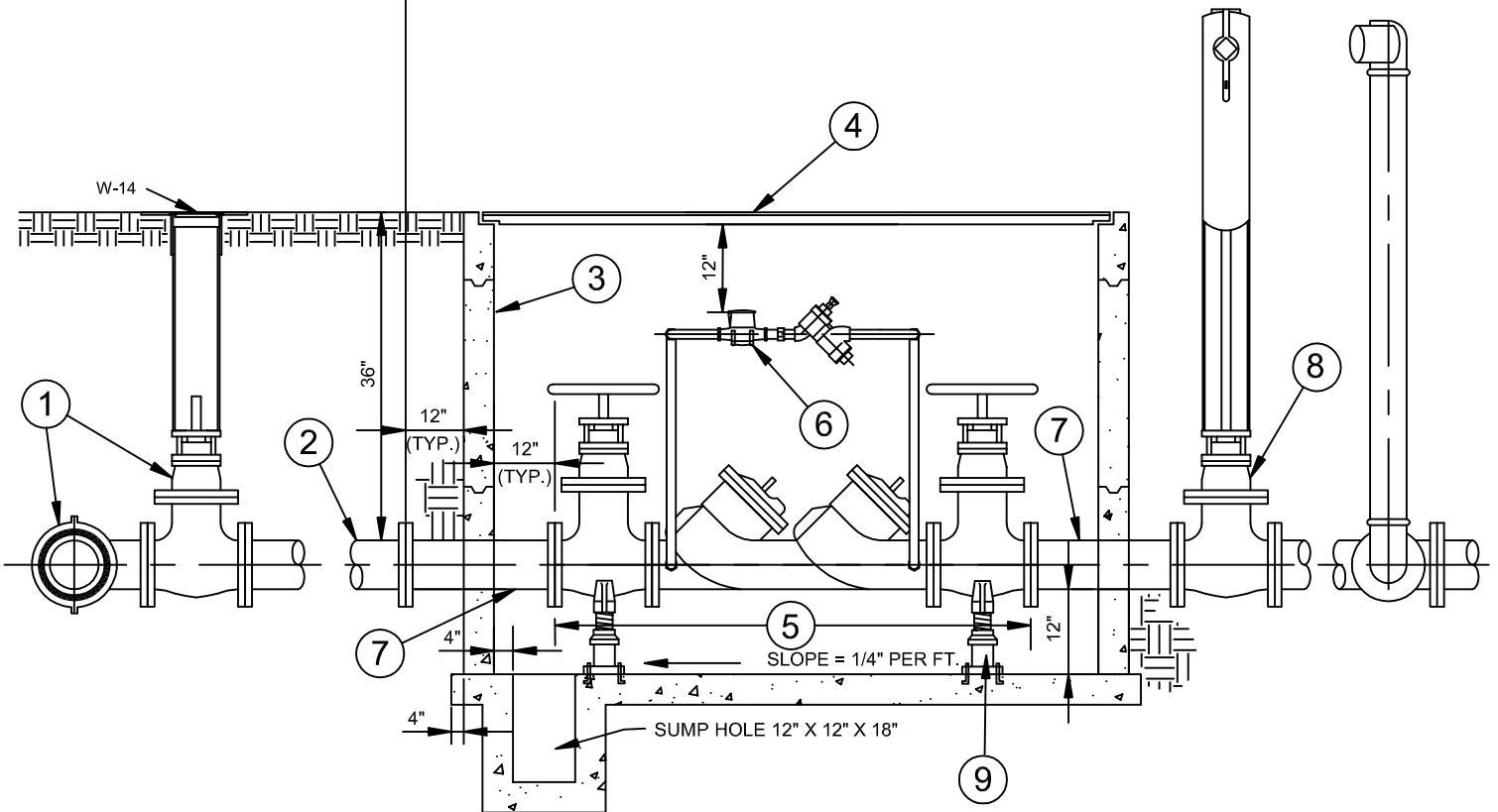
VALLECITOS WATER DISTRICT STANDARD DRAWING

**3" - 4" - 6" METER
(ABOVE GROUND)
WITH BY-PASS**

DATE: JULY 2015
BY:
Drawing No.
W-11

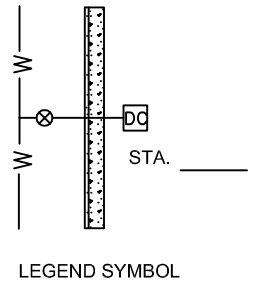
PUBLIC RIGHT OF WAY
END OF DISTRICT RESPONSIBILITY

PRIVATE PROPERTY, EASEMENT REQUIRED
CUSTOMER OWNED



NOTES:

- 1) SUBSTITUTIONS IN MATERIAL SHALL NOT BE MADE WITHOUT APPROVAL OF THE DISTRICT.
- 2) A MINIMUM OF 24" CLEARANCE SHALL BE MAINTAINED BETWEEN THE VAULT AND ALL FACILITIES.
- 3) PIPE LENGTH SHALL BE VERIFIED IN THE FIELD.
- 4) ALL EXPOSED PIPING AND BOLTS SHALL BE PAINTED BLUE PER CURRENT VWD MATERIAL LIST (EXCLUDING BY-PASS PLUMBING & METER)
- 5) BY-PASS METER SHALL BE RAISED TO WITHIN ONE FOOT OF THE VAULT LID.
- 6) ALL BY-PASS PLUMBING SHALL BE HARD COPPER OR RED BRASS AS SUPPLIED BY MANUFACTURER.
- 7) CONTACT THE FIRE PROTECTION DISTRICT FOR SPECIFICATIONS ON FIRE DEPARTMENT CONNECTION.
- 8) ACCESS LADDER REQUIRED FOR VAULTS OVER THREE FEET DEEP.
- 9) DCDA OR RPD, PER STATE HEALTH DEPARTMENT APPROVED LIST, DEVICE TO DETERMINED BY TYPE OF HAZARD.
- 10) BYPASS METER BACKFLOW DEVICE SHALL BE AN INCLUDED COMPONENT OF DETECTOR CHECK ASSEMBLY.



ITEM	MATERIAL	ITEM	MATERIAL
(1)	TAPPING VALVE AND SADDLE	(6)	BY-PASS METER W / BACKFLOW
(2)	PIPE, SAME MATERIAL AS MAIN LINE	(7)	FLANGED SPOOL, SAME MATERIAL AS MAIN LINE
(3)	PRECAST VAULT	(8)	VALVE & INDICATOR POST PER APPROPRIATE FIRE DIST.
(4)	ALUMINUM, TWO PIECE SPRING ASSIST LID	(9)	VALVE SUPPORT STAND W/ SADDLE TOP AND 3/8" S.S. "L"
(5)	STATE APPROVED DETECTOR CHECK ASSEMBLY		ANCHOR BOLTS W/ WASHERS

REVISIONS		
DESCRIPTION	APPROVED	DATE
REMOVED VALVE RISER STEM		9-9-16

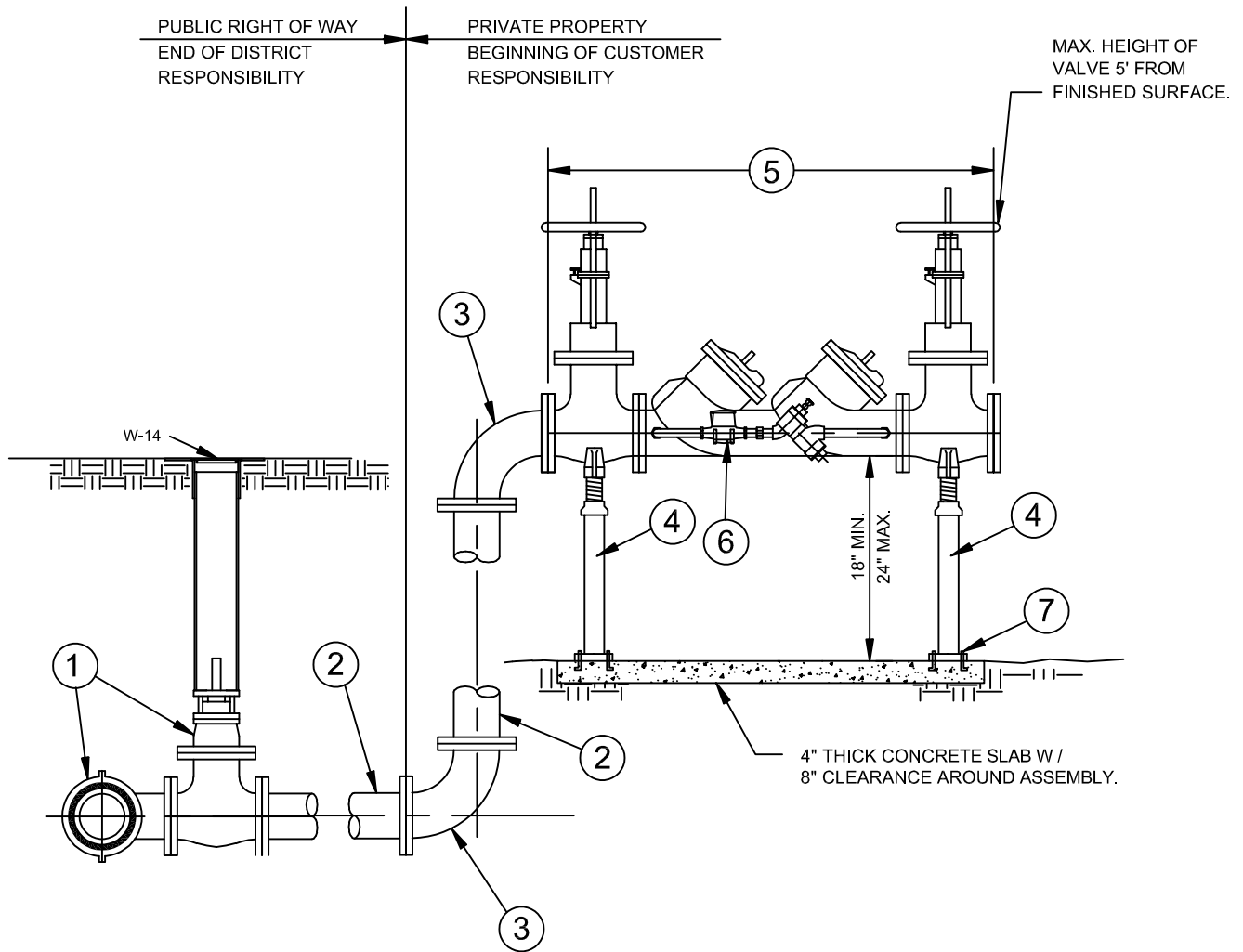
VALLECITOS WATER DISTRICT STANDARD DRAWING

**DETECTOR CHECK ASSEMBLY
(BELOW GROUND)**

DATE: JULY 2015

BY: _____

Drawing No.
W-12

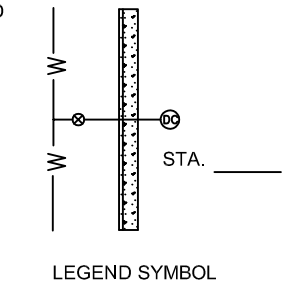


NOTES:

- 1) SUBSTITUTIONS IN MATERIAL SHALL NOT BE MADE WITHOUT APPROVAL OF THE DISTRICT.
- 2) PIPE LENGTH SHALL BE VERIFIED IN THE FIELD.
- 3) ALL EXPOSED PIPING AND BOLTS SHALL BE PAINTED BLUE PER CURRENT VWD MATERIAL LIST (EXCLUDING BY-PASS PLUMBING)
- 4) ALL BY-PASS PLUMBING SHALL BE HARD COPPER OR RED BRASS AS SUPPLIED BY MANUFACTURER.
- 5) CONTACT THE APPROPRIATE FIRE PROTECTION DISTRICT FOR SPECIFICATIONS ON FIRE DEPARTMENT CONNECTION.
- 6) DCDA OR RPDA, PER STATE HEALTH DEPARTMENT APPROVED LIST, DEVICE TO DETERMINED BY TYPE OF HAZARD.
- 7) BYPASS METER BACKFLOW DEVICE SHALL BE AN INCLUDED COMPONENT OF DETECTOR CHECK ASSEMBLY.

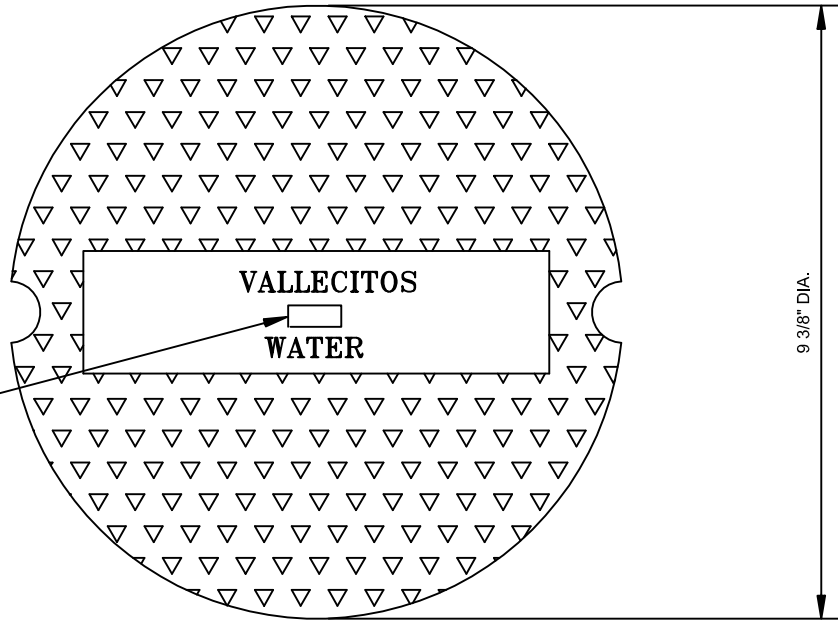
UPGRADES:

- 1) RE-CONNECTION TO BE MADE ON STRUCTURALLY SOLID EXISTING PIPE MATERIAL (PER VWD INSPECTOR)
- 2) ANY VALVES LOCATED BETWEEN THE DISTRICT VALVE AND PUBLIC RIGHT OF WAY TO BE REMOVED.
- 3) EXISTING FIRE SERVICES LOCATED IN VAULTS MUST BE RELOCATED ABOVE GROUND. VAULT LID AND SIDE WALLS TO BE REMOVED.

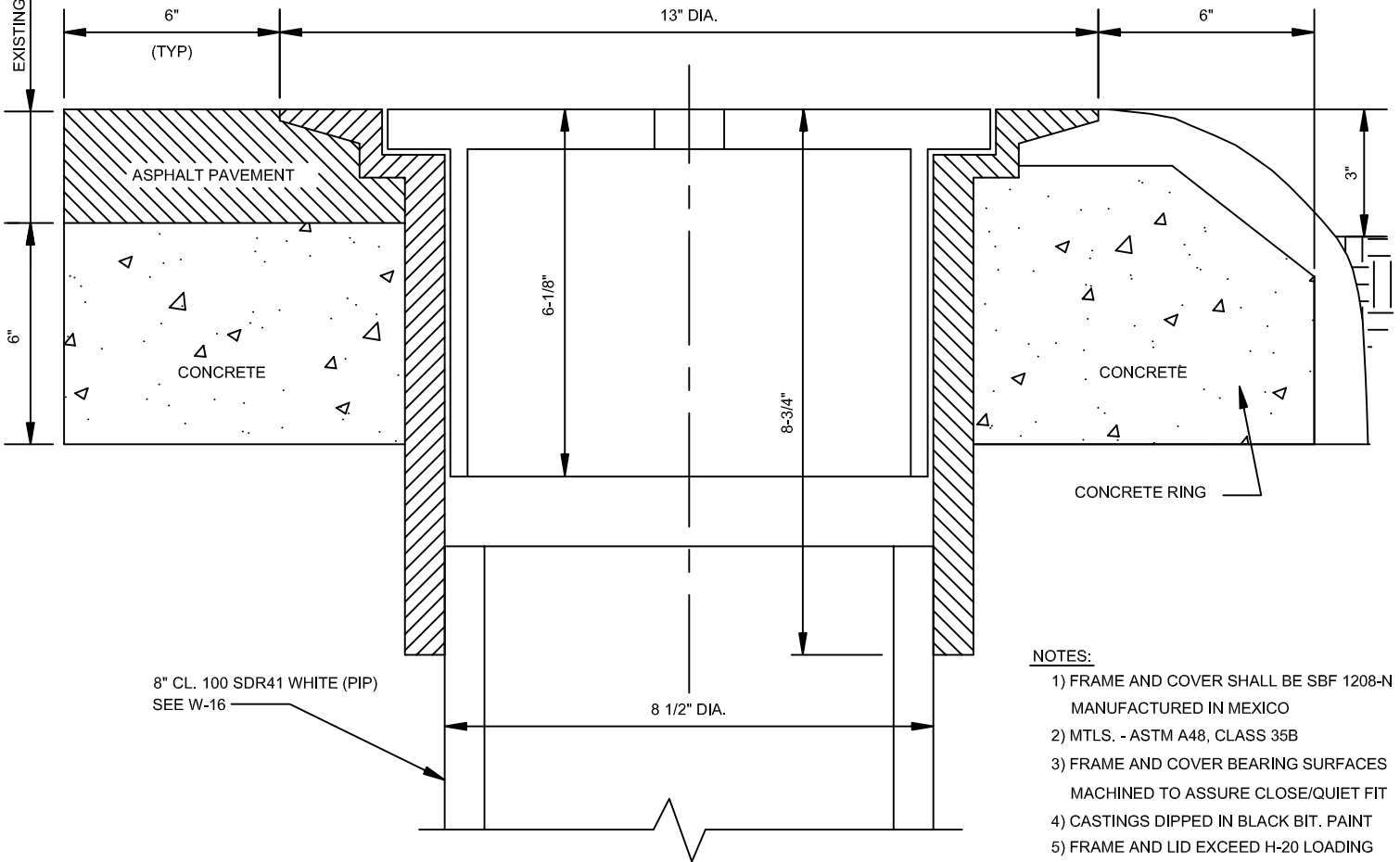


ITEM	MATERIAL	ITEM	MATERIAL
(1)	TAPPING SLEEVE W/ GATE VALVE & TEE	(6)	BY-PASS METER W/ BACKFLOW
(2)	SPOOL, SAME MATERIAL AS MAIN LINE	(7)	3/8" S.S. "L" ANCHOR BOLTS W/ WASHERS
(3)	FL. 90° ELBOW		
(4)	VALVE SUPPORT STAND W/ SADDLE TOP		
(5)	STATE APPROVED DETECTOR CHECK ASSEMBLY		

REVISIONS			VALLECITOS WATER DISTRICT STANDARD DRAWING DETECTOR CHECK ASSEMBLY (ABOVE GROUND)	DATE: JULY 2015
DESCRIPTION	APPROVED	DATE		BY:
REMOVED VALVE RISER STEM &				
REMOVED 45° ELBOW		9-9-16		
ADDED UPGRADE NOTES		10-21-19		
			Drawing No.	
			W-13	



EXISTING PAVING THICKNESS PLUS 1"



- NOTES:**
- 1) FRAME AND COVER SHALL BE SBF 1208-N MANUFACTURED IN MEXICO
 - 2) MTLs. - ASTM A48, CLASS 35B
 - 3) FRAME AND COVER BEARING SURFACES MACHINED TO ASSURE CLOSE/QUIET FIT
 - 4) CASTINGS DIPPED IN BLACK BIT. PAINT
 - 5) FRAME AND LID EXCEED H-20 LOADING

REVISIONS		
DESCRIPTION	APPROVED	DATE
ADDED 8" CL. 100 SDR41 WHITE PIP		9-9-16
CHANGED MANHOLE NOTE		4-3-18

VALLECITOS WATER DISTRICT STANDARD DRAWING

VALVE BOX FRAME AND LID

DATE: JULY 2015

BY:

Drawing No.

W-14

FIG. 1

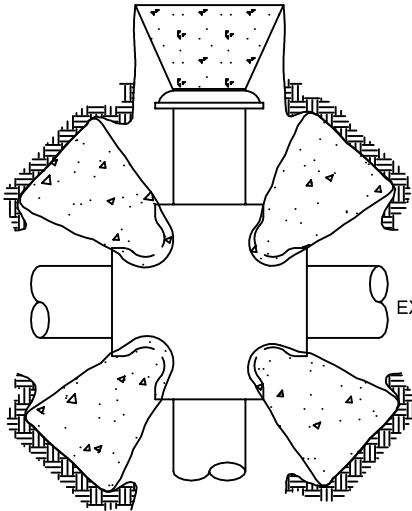


FIG. 2

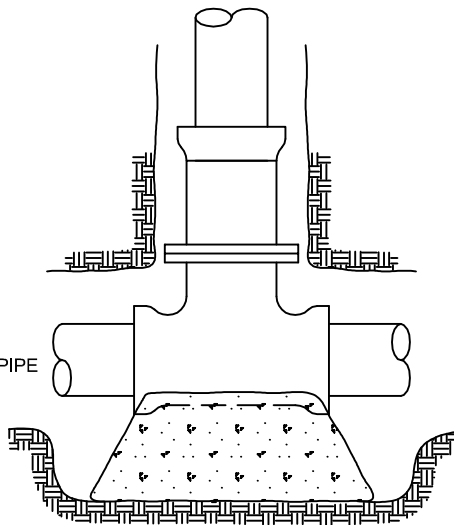
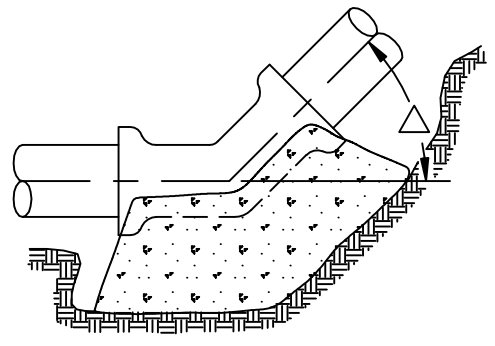


FIG. 3

(HORIZONTAL OR VERTICAL BEND)



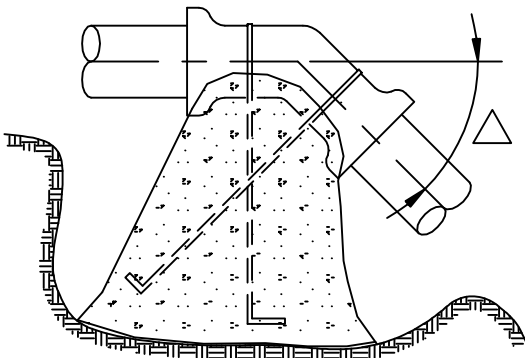
△ = 90°, 45°, 22 1/2°, 11 1/4°

NOTES:

- 1) CONCRETE THRUST BLOCKS SHALL BE CONSTRUCTED IN ALL PIPELINES AT THE LOCATIONS SHOWN HEREON WHERE THE RESPECTIVE FITTINGS AND PLUGS ARE INSTALLED.
- 2) #4 REBAR LOOPS SHALL EXTEND TO THE DEPTH OR WIDTH OF BLOCK. WRAP EXPOSED METAL WITH 10 MIL TAPE PRIOR TO INSTALLTION.
- 3) ALL THRUST BLOCKS TO BE FORMED WITH SAND BAGS.
- 4) FOR CLASS 200 PIPE INCREASE AREAS AND VOLUMES BY 33%.

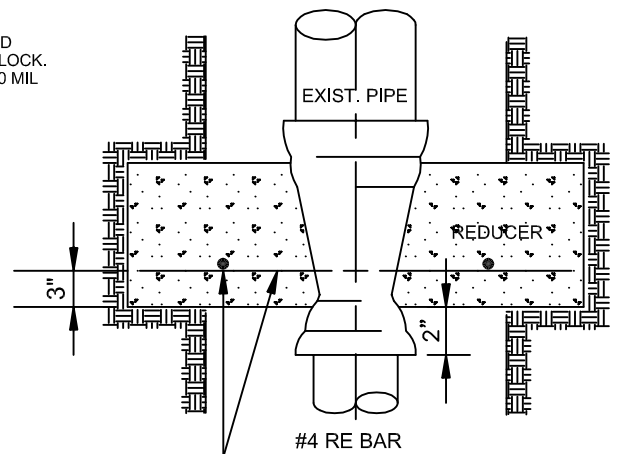
FIG. 4

(VERTICAL BEND ONLY)

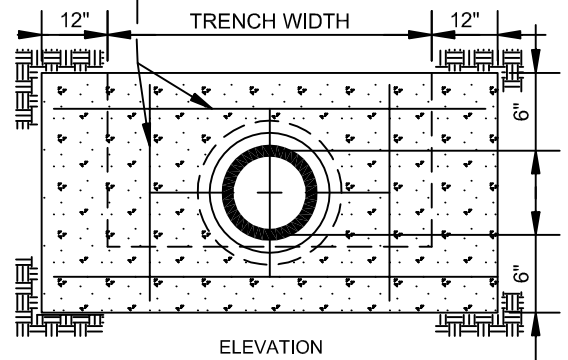


△ = 90°, 45°, 22 1/2°, 11 1/4°

PLAN



TRENCH WIDTH



ELEVATION

ANCHOR BLOCK

MINIMUMS-SPECIAL DESIGN MAY BE REQUIRED

SIZE OF PIPE	BEARING AREA IN SQUARE FEET						CUBIC FEET		
	FIG 1	FIG 2	FIG 3				FIG 4		
	CL. 150	CL. 150	90° CL. 150	45° CL. 150	22 1/2° CL. 150	11 1/4° CL. 150	45° CL. 150	22 1/2° CL. 150	11 1/4° CL. 150
4"	3	3	4	2	1	1	19	10	5
6"	5	5	7	4	2	1	-	20	10
8"	9	9	12	7	3	2	-	-	18
10"	14	14	20	11	6	3	-	-	30
12"	20	20	29	16	8	4	-	-	-
14"	28	28	39	21	11	5	-	-	-

REVISIONS

DESCRIPTION	APPROVED	DATE
#4 REBAR WRAP		8-21-07

VALLECITOS WATER DISTRICT STANDARD DRAWING

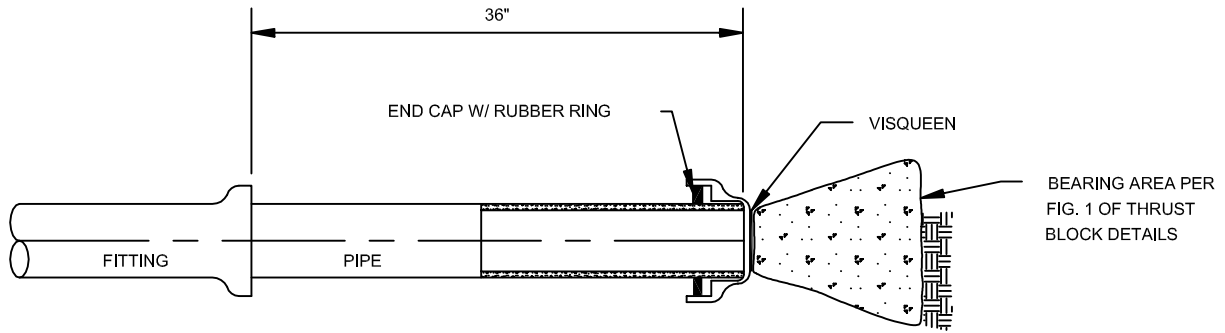
DATE: JAN. 04

THRUST AND ANCHOR BLOCKS

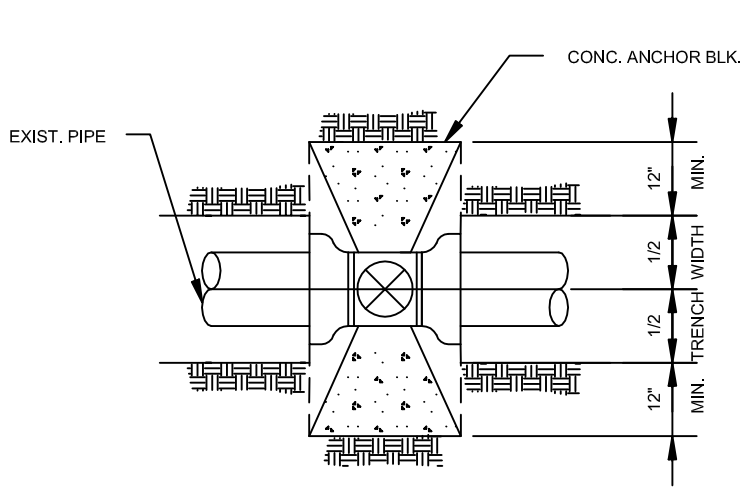
BY:

Drawing No.

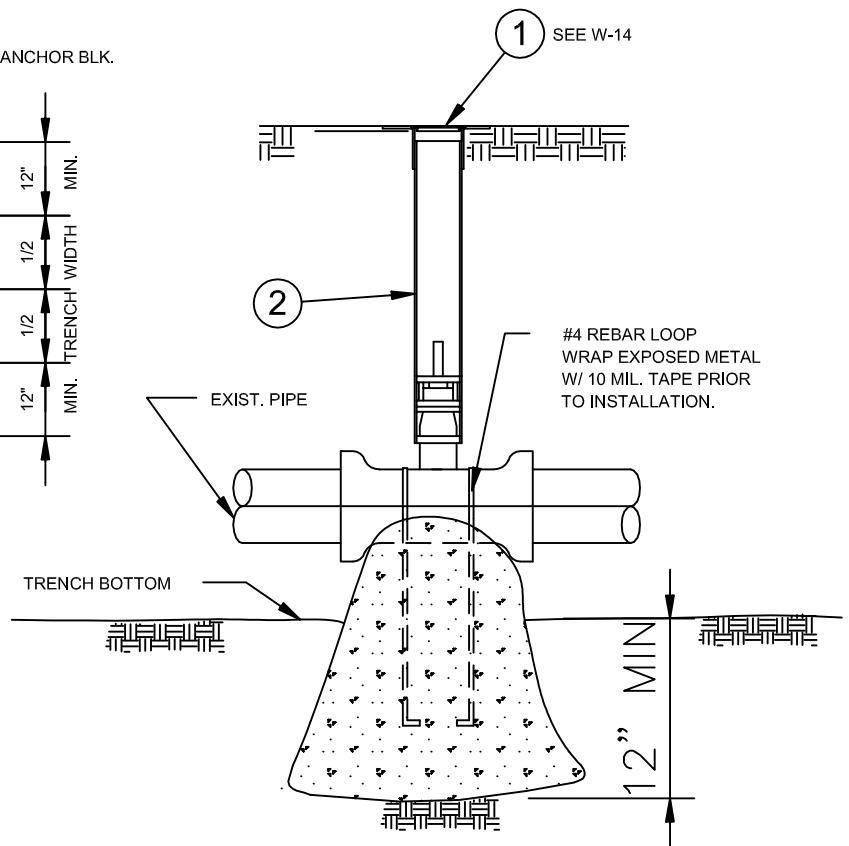
W-15



END CAP ASSEMBLY



PLAN



ELEVATION

NOTES:

- 1) NUTS & BOLTS TO BE COATED WITH NO-OXIDE GREASE AND VISQUEEN.
- 2) GATE VALVES TO COMPLY WITH VALLECITOS WATER DISTRICT SPECIFICATIONS.

ITEM	MATERIAL	ITEM	MATERIAL
①	VALVE BOX AND COVER		
②	8" CL. 100 SDR41-WHITE (PIP)		

REVISIONS		
DESCRIPTION	APPROVED	DATE
REMOVED VALVE RISER STEM		9-9-16

VALLECITOS WATER DISTRICT STANDARD DRAWING

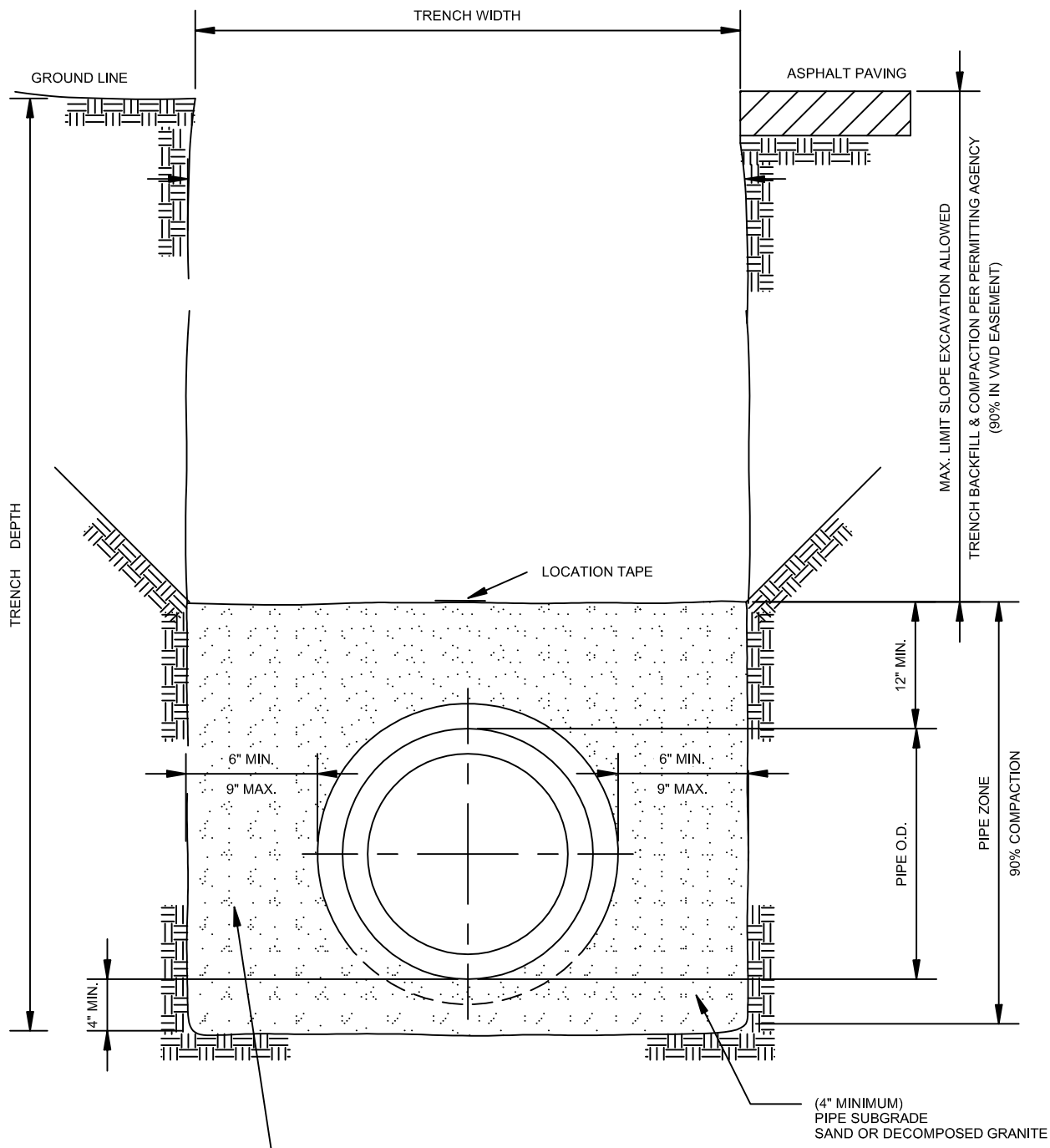
**GATE VALVE INSTALLATION
AND CAP ASSEMBLY**

DATE: JULY 2015

BY:

Drawing No.

W-16

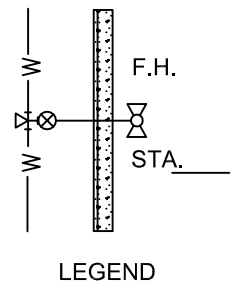
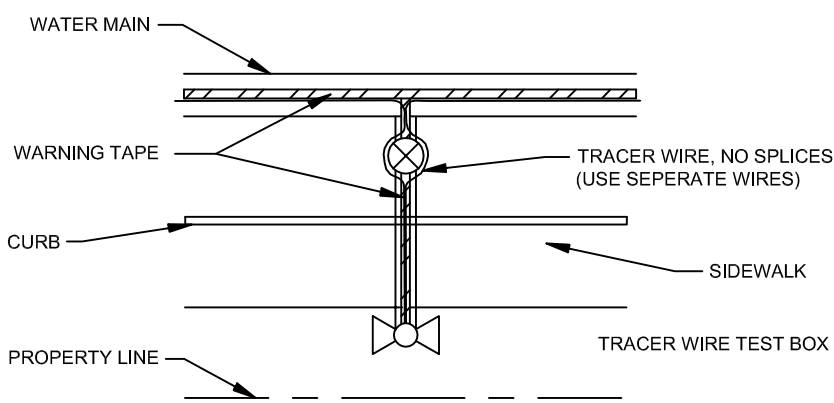
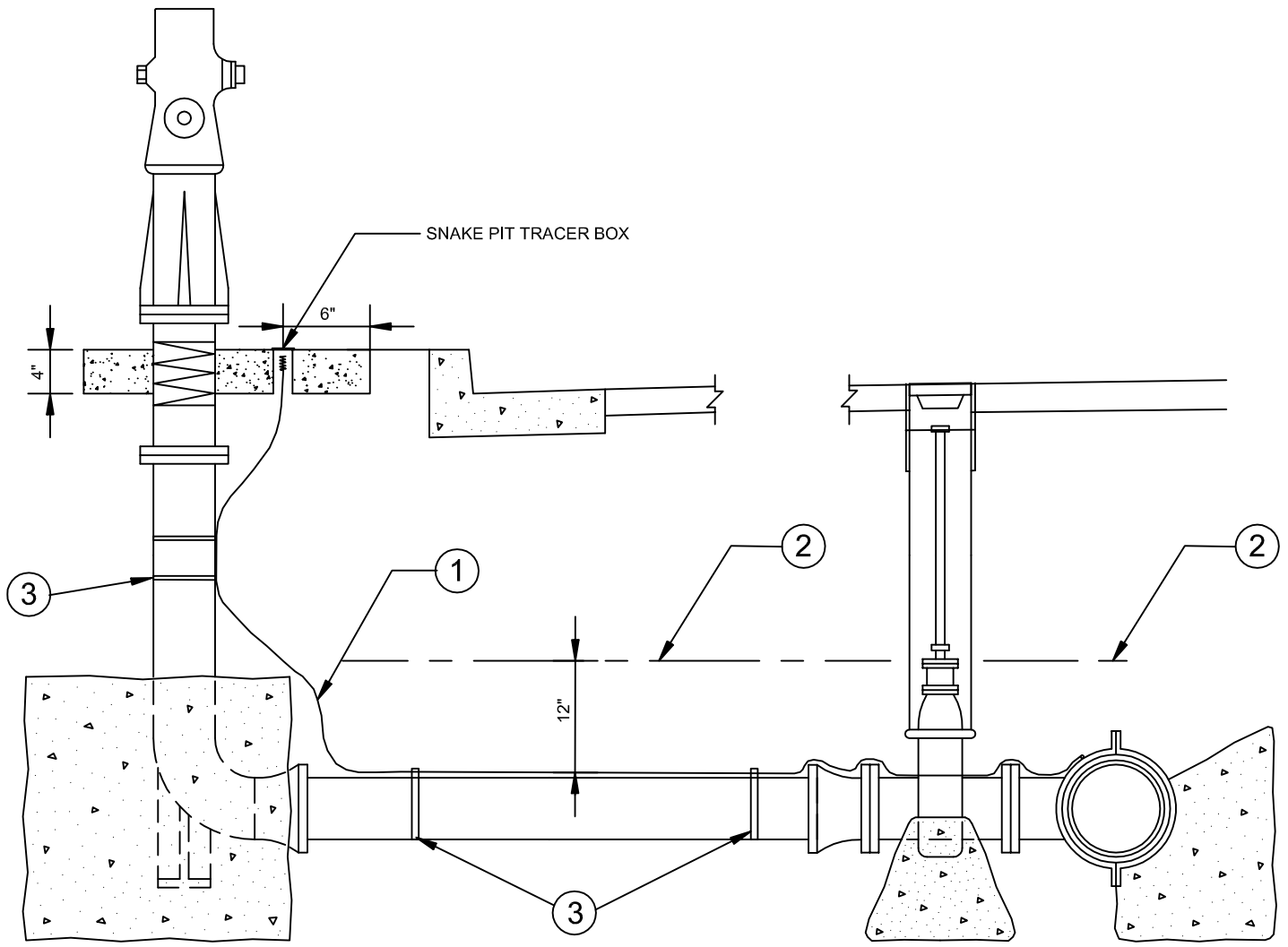


SAND/ D.G. TO BE PLACED IN 6" LAYERS THROUGHOUT PIPE ZONE & THOROUGHLY COMPACTED BEFORE ANY ADDITIONAL BACKFILL SHALL BE PLACED.

NOTES:

- 1) LOCATION TAPE TO BE 12" ABOVE PIPE REFER TO MATERIAL LIST.

REVISIONS			VALLECITOS WATER DISTRICT STANDARD DRAWING	DATE: JAN. 04
DESCRIPTION	APPROVED	DATE		BY:
			TRENCH COMPACTION AND BACKFILL	Drawing No.
				W-17



ITEM	MATERIAL	ITEM	MATERIAL
(1)	10 GA. INSULATED TRACER WIRE (PVC ???)	(1)	
(2)	WARNING TAPE	(2)	
(3)	TAPE	(3)	
(4)		(4)	
(5)		(5)	

REVISIONS		
DESCRIPTION	APPROVED	DATE

VALLECITOS WATER DISTRICT STANDARD DRAWING

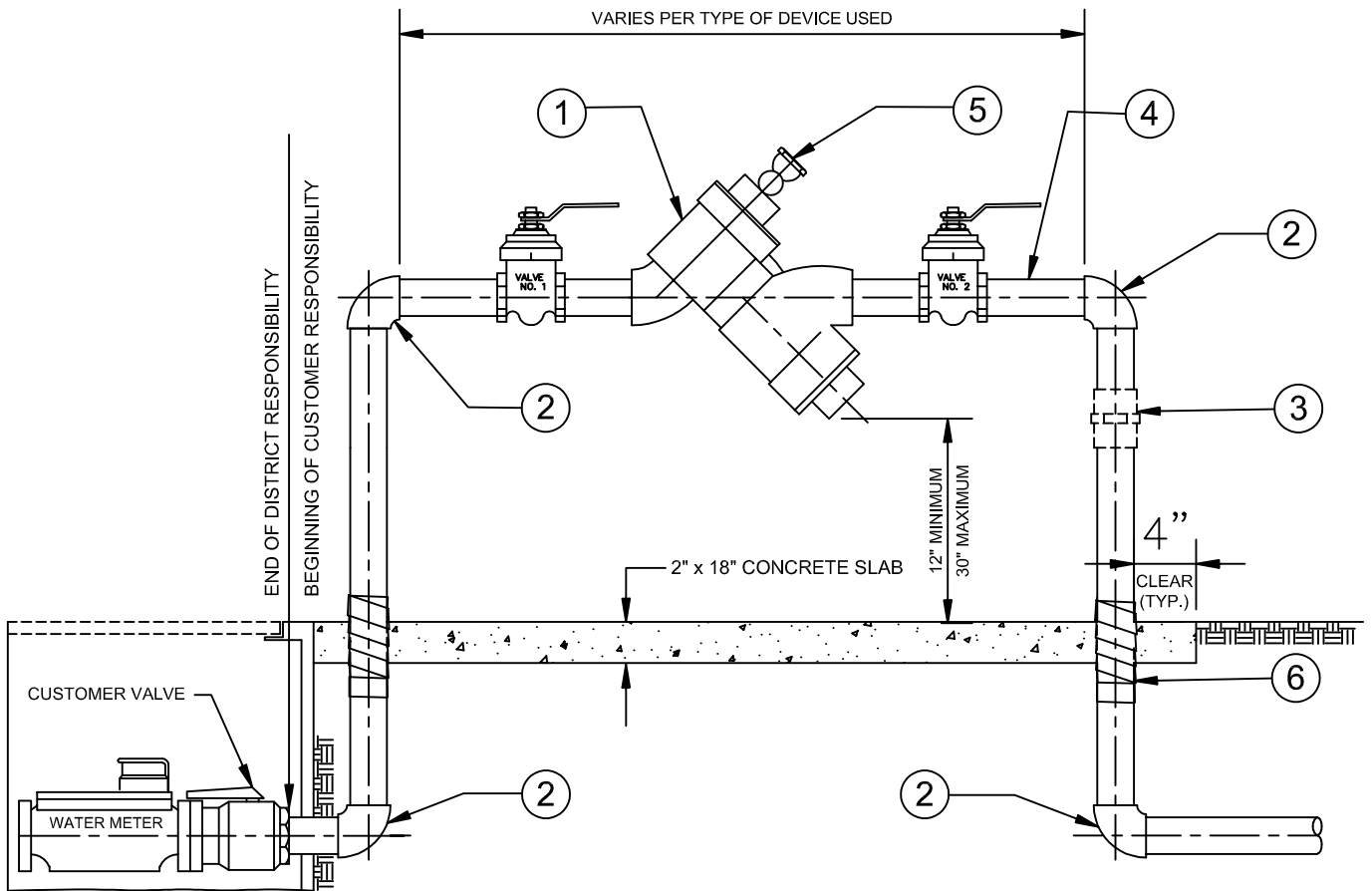
WARNING IDENTIFICATION TAPE AND TRACER WIRE INSTALLATION FOR FIRE HYDRANTS

DATE: July, 11

BY:

Drawing No.

W-18



NOTES:

- 1) ALL INSTALLATIONS SHALL BE ABOVE GROUND. THE BACK FLOW DEVICE SHALL BE NO MORE THAN 1/2" GREATER THAN THE METER SIZE.
- 2) ALL BACKFLOW PREVENTION DEVICES SHALL BE AS CLOSE TO THE WATER METER AS POSSIBLE. IF BACKFLOW CANNOT BE INSTALLED DIRECTLY BEHIND METER, THE SERVICE BETWEEN THE METER & BACKFLOW SHALL HAVE A 3-4" PIPE SLEEVE ENCASED IN CONCRETE.
- 3) THE BACKFLOW PREVENTION DEVICE SHALL BE SELECTED FROM APPROVED STATE OF CALIFORNIA-DEPARTMENT OF HEALTH SERVICES LIST ON FILE WITH THE DISTRICT.
- 4) NO CONNECTIONS SHALL BE MADE BETWEEN THE WATER METER AND THE BACKFLOW PREVENTION DEVICE.
- 5) TYPE OF BACKFLOW PREVENTION DEVICE SHALL BE BASED ON THE DEGREE OF HAZARD.
- 6) APPROPRIATE TEST COCKS SHALL BE IN PLACE AT ALL TIMES.
- 7) DISTRICT SHALL HAVE ACCESS TO BACKFLOW PREVENTION DEVICE AT ALL TIMES.
- 8) CONCRETE PAD SHALL BE A MINIMUM OF 18" WIDE.
- 9) REFER TO STANDARD DRAWINGS FOR INSTALLATION OF WATER METER AND SERVICE.
- 10) PIPING MATERIAL SHALL BE RED BRASS, OR "K", OR "L", COPPER PIPING.
- 11) ALTHOUGH THE DISTRICT REQUIRES THE USE OF RED BRASS OR RIGID COPPER PIPING, AGRICULTURAL SERVICES, IN NON-TRAFFIC AREAS, MAY USE SCHEDULE 80 UV RESISTANT PVC PIPING MATERIALS WITH PRIOR APPROVAL OF THE DISTRICT.

ITEM	MATERIAL	ITEM	MATERIAL
①	BACKFLOW PREVENTION DEVICE	④	NIPPLE, VARIES IN LENGTH
②	90° ELBOW	⑤	TEST COCK (4 REQUIRED)
③	THREADED UNION RECOMMENDED, BUT NOT REQUIRED (FOR REMOVAL AND REPAIR OF DEVICE)	⑥	RED BRASS OR RIGID COPPER WRAPPED W / 2" X 10 MIL TAPE

REVISIONS		
DESCRIPTION	APPROVED	DATE
EDITED NOTE 1		5-9-17
MODIFIED SLAB REMOVED UNION		8-24-22

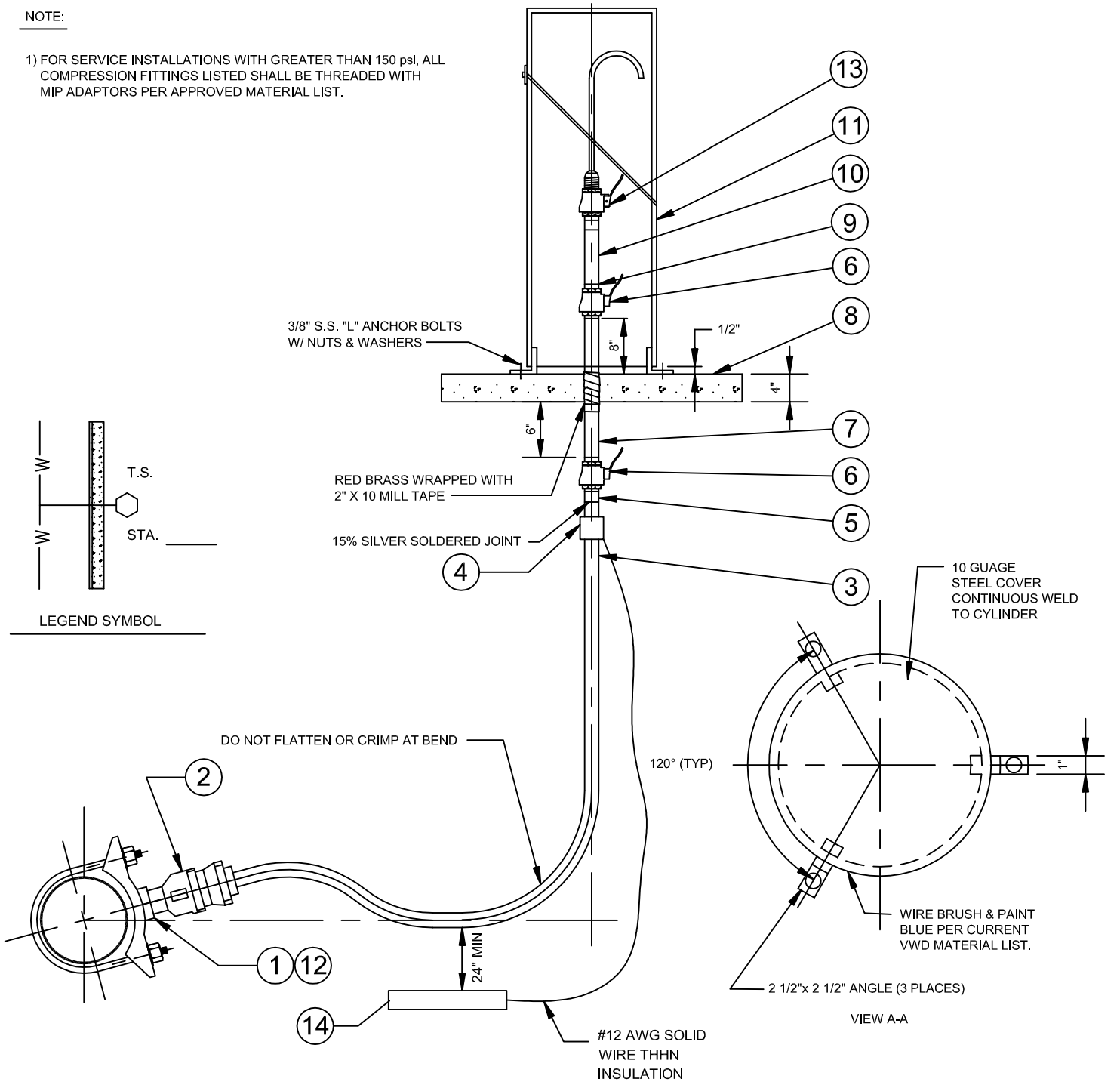
VALLECITOS WATER DISTRICT STANDARD DRAWING

**BACKFLOW PREVENTION DEVICE
2" AND SMALLER**

DATE: JULY 2015
BY:
Drawing No.
W-19

NOTE:

1) FOR SERVICE INSTALLATIONS WITH GREATER THAN 150 psi, ALL COMPRESSION FITTINGS LISTED SHALL BE THREADED WITH MIP ADAPTORS PER APPROVED MATERIAL LIST.



ITEM	MATERIAL	ITEM	MATERIAL
(1)	DOUBLE STRAP BRONZE SERVICE CLAMP	(8)	24" x 24" x 4" CONCRETE PAD
(2)	1" BALL CORP STOP	(9)	1" x 1/2" BRASS BUSHING
(3)	1" K - SOFT COPPER TUBING	(10)	1/2" X 18" BRASS NIPPLE
(4)	MECHANICAL GROUNDING CLAMP PER CURRENT VWD MATERIALS LIST	(11)	PIPELINE PRODUCTS WTS-858E
(5)	MIP ADAPTOR	(12)	3000# FORGED STEEL HALF COUPLING W/ DIELECTRIC BUSHING (STEEL ONLY)
(6)	BALL VALVE W/ HANDLE, FIP x FIP	(13)	1/2" S.S. KORALEEN PART #0004 COMPLETE
(7)	1" X 18" RED BRASS RISER	(14)	ZINK ANODE PER CURRENT VWD MATERIAL LIST

REVISIONS		
DESCRIPTION	APPROVED	DATE
ADDED ZINC ANODE & CLAMP		5-9-17
EDITED NOTES		5-9-17
EDITED ITEM 13		4-3-18

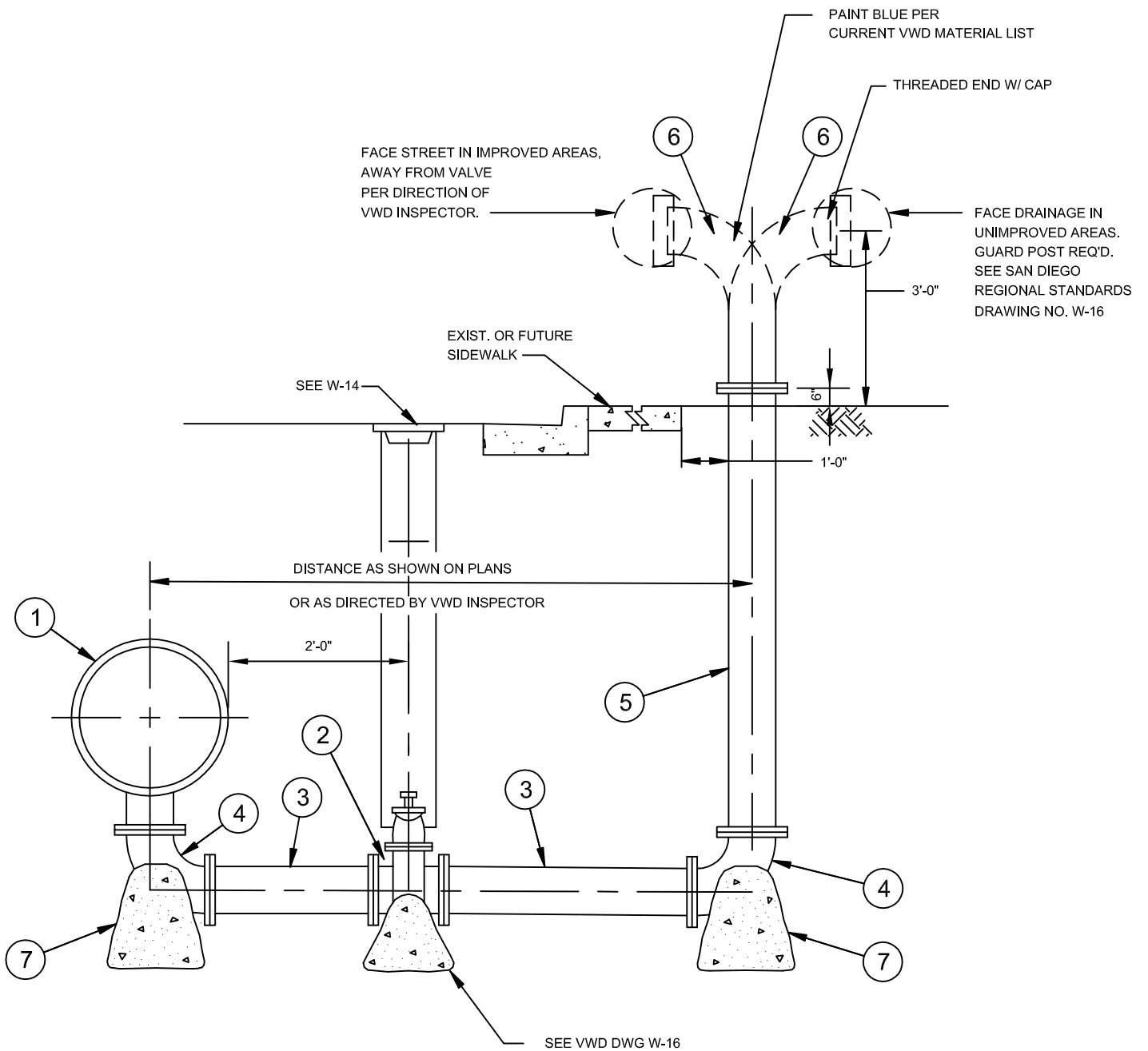
VALLECITOS WATER DISTRICT STANDARD DRAWING

1" WATER TEST STATION

DATE: JULY 2015

BY:

Drawing No.
W-21



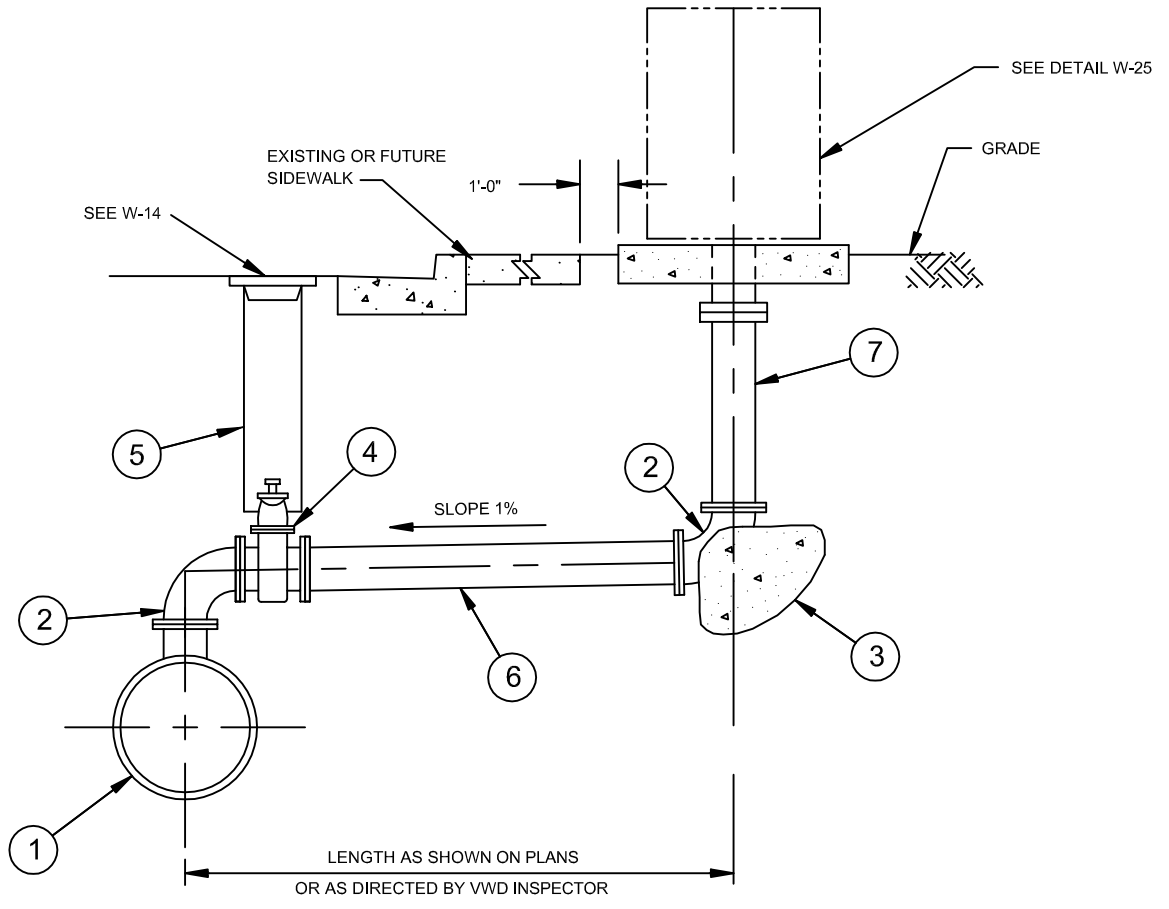
NOTE:

1) PIPE MATERIAL SHALL BE SAME AS MAIN.

ITEM	MATERIAL	ITEM	MATERIAL
①	WATER MAIN W/ FLG'D OUTLET.	⑤	RISER, FL x FL.
②	GATE VALVE, FLG'D.	⑥	90° ELBOW W/ MIP THREADS & CAP
③	PIPE SPOOL PIECE, FL x FL.	⑦	THRUST BLOCK, PER VWD DWG W-15.
④	90 DEGREE FL. ELBOW		

REVISIONS			VALLECITOS WATER DISTRICT STANDARD DRAWING	DATE: JULY 2015
DESCRIPTION	APPROVED	DATE		BY:
REMOVED VALVE RISER STEM		9-9-16		Drawing No.
				W-23

4" AND LARGER BLOW-OFF



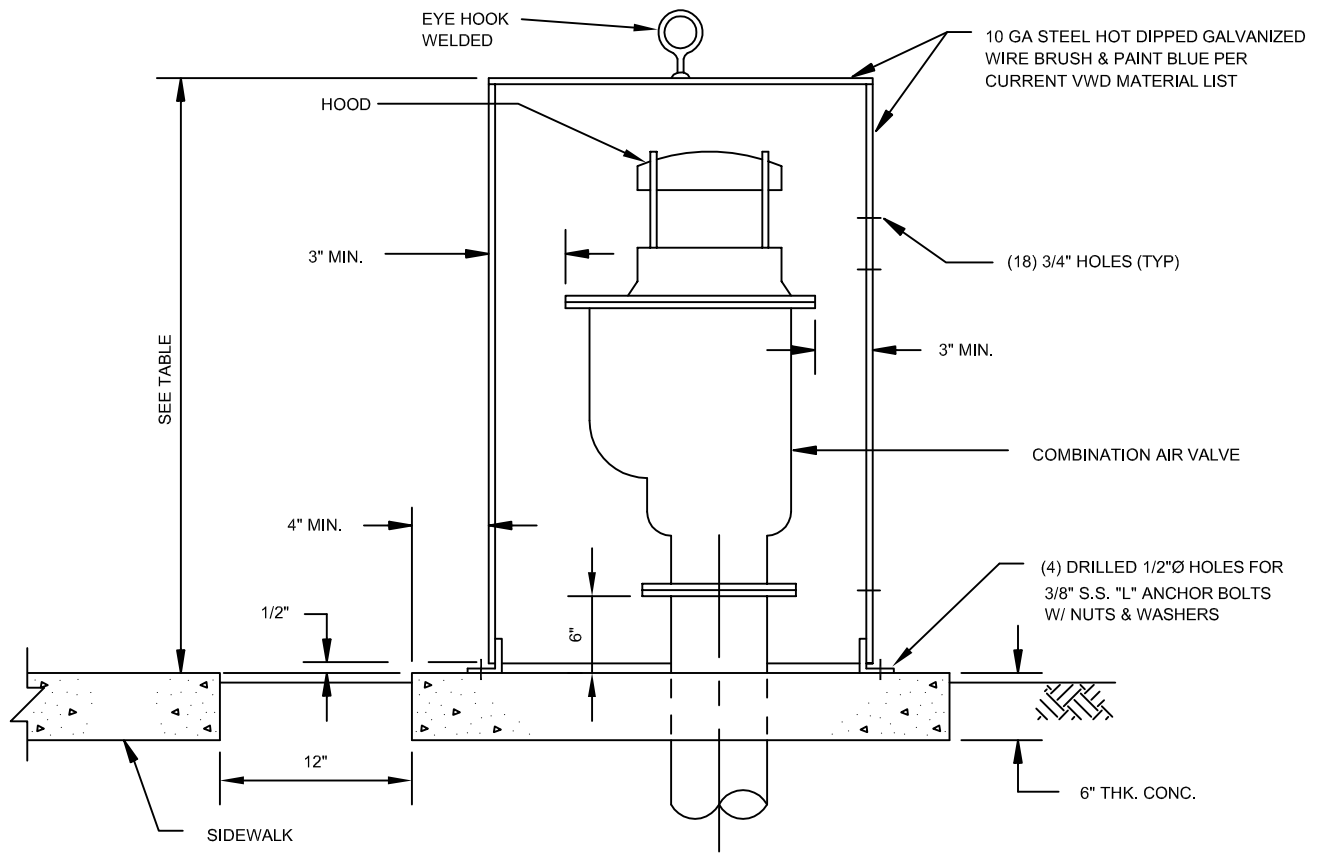
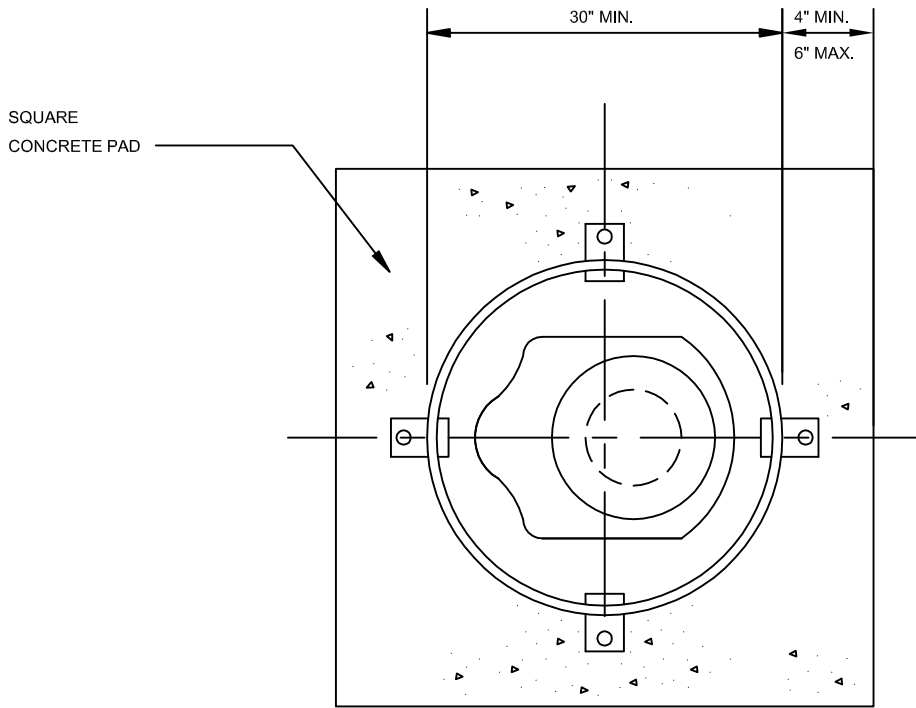
NOTE:
 1) PIPE MATERIAL SHALL BE SAME AS MAIN.

ITEM	MATERIAL	ITEM	MATERIAL
(1)	WATER MAIN W/ FLG'D OUTLET.	(5)	8" CL 100, SDR41 WHITE
(2)	90° BEND, FLG'D	(6)	PIPE SPOOL PIECE, FL x FL.
(3)	THRUST BLOCK, PER VWD DWG W-15.	(7)	PIPE RISER, FL x FL.
(4)	GATE VALVE, FLG'D		

REVISIONS			VALLECITOS WATER DISTRICT STANDARD DRAWING	DATE: JULY 2015
DESCRIPTION	APPROVED	DATE		BY:
REMOVED VALVE RISER STEM		9-9-16	3" AND LARGER AIR RELEASE ASSEMBLY	Drawing No.
				W-24

TABLE

SIZE	HEIGHT	DIAMETER
3"	30"	30"
4"	36"	30"
6"	36"	30"
8"	36"	30"



REVISIONS		
DESCRIPTION	APPROVED	DATE
SUPPORTS INSIDE CAN & EYE HOOK		5-16-06

VALLECITOS WATER DISTRICT STANDARD DRAWING

3" & LARGER AIR RELEASE/ ENCLOSURE

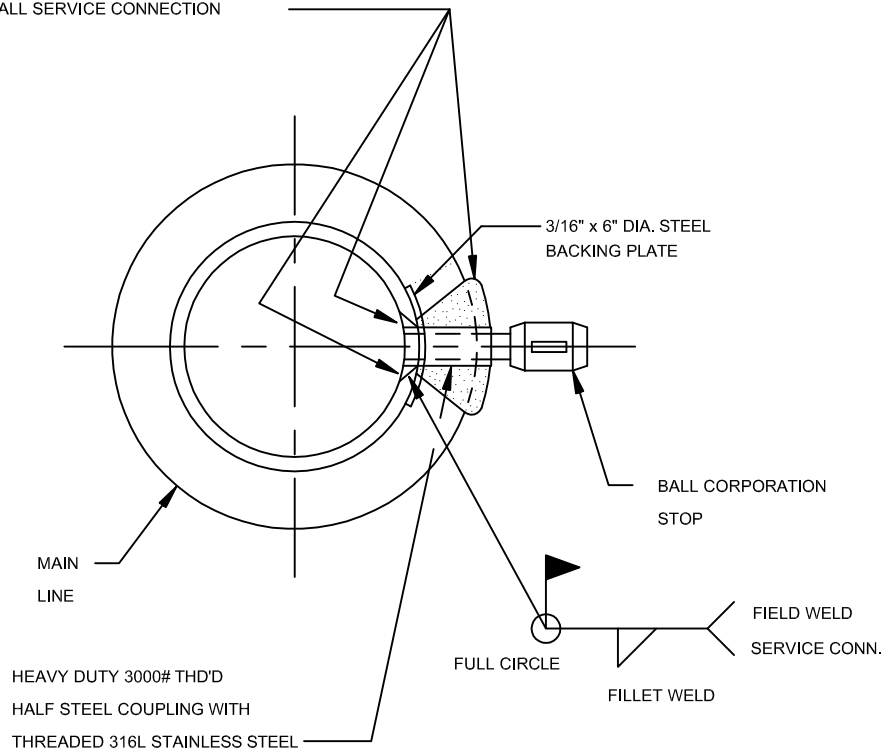
DATE: JAN. 04

BY:

Drawing No.

W-25

REMOVE AND REPLACE COATING
AND LINING AS NECESSARY TO
INSTALL SERVICE CONNECTION



REVISIONS		
DESCRIPTION	APPROVED	DATE
OPERATOR LOCATION		7-24-07
COUPLING AND STEEL PLATE		3-28-17

VALLECITOS WATER DISTRICT STANDARD DRAWING

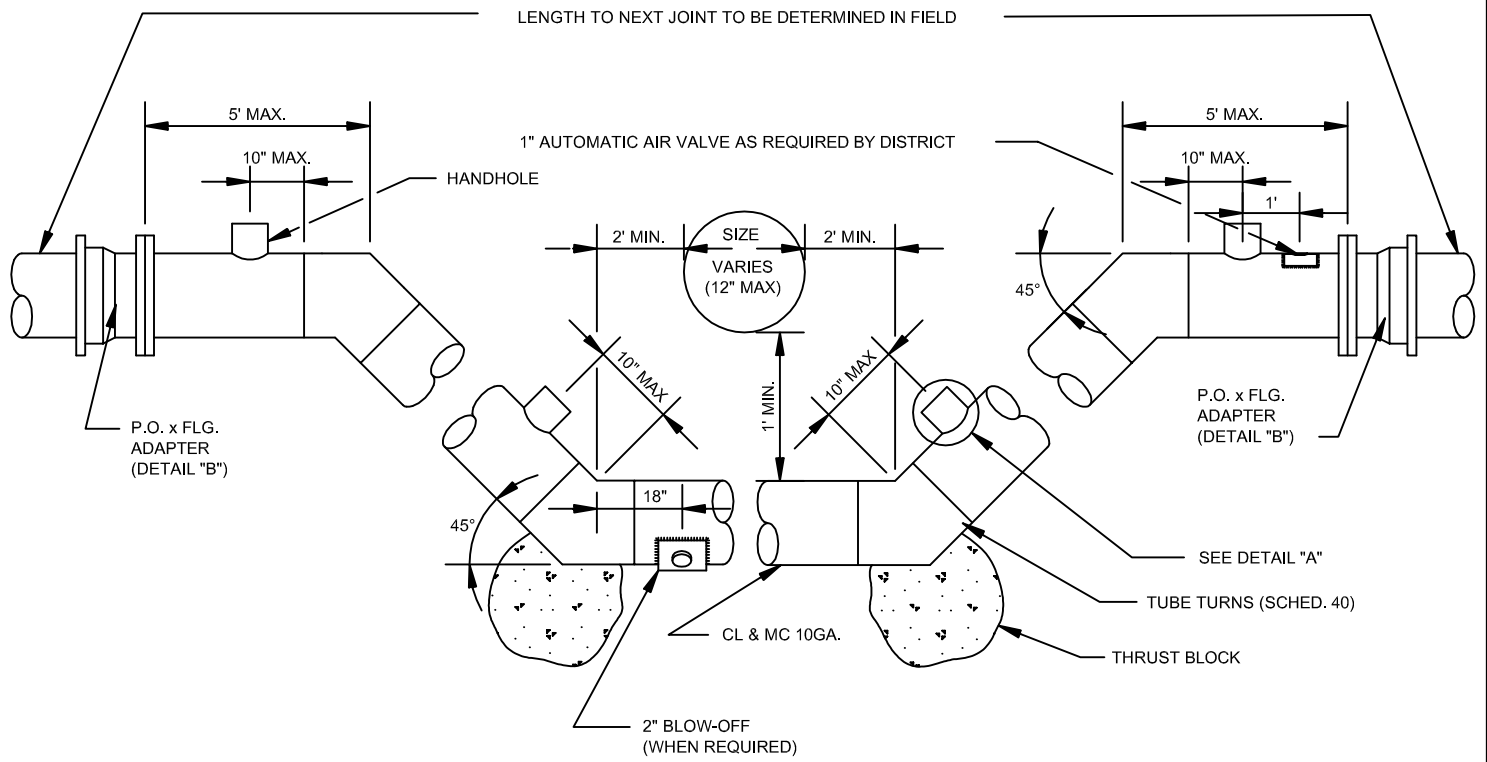
SERVICE CONNECTION FOR STEEL PIPE

DATE: JAN. 04

BY:

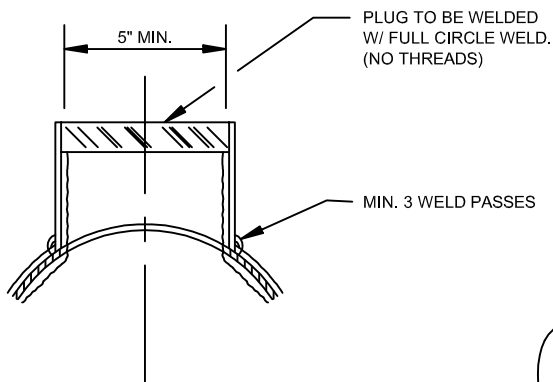
Drawing No.

W-26

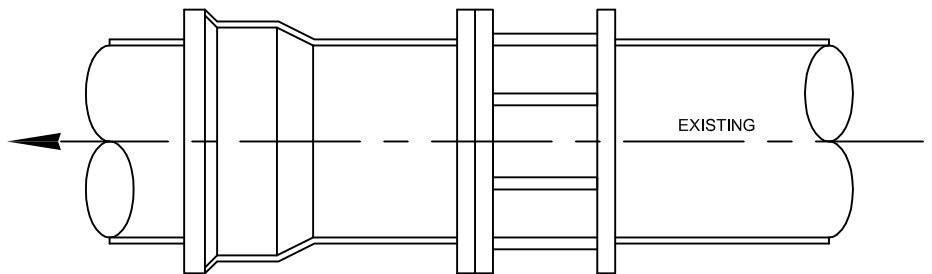


NOTES:

- 1) ALL FLANGES TO BE WELDED IN FIELD, PER A.W.W.A. C-207.
- 2) ALL STEEL PIPE, FIELD WELDING' AND REPAIRS, SHALL BE PER A.W.W.A. C-205 & C-206.
- 3) INSTALL HANDHOLE W/ PLUG MIN. OF 6" FROM EACH WELDED JOINT, DETAIL "A"

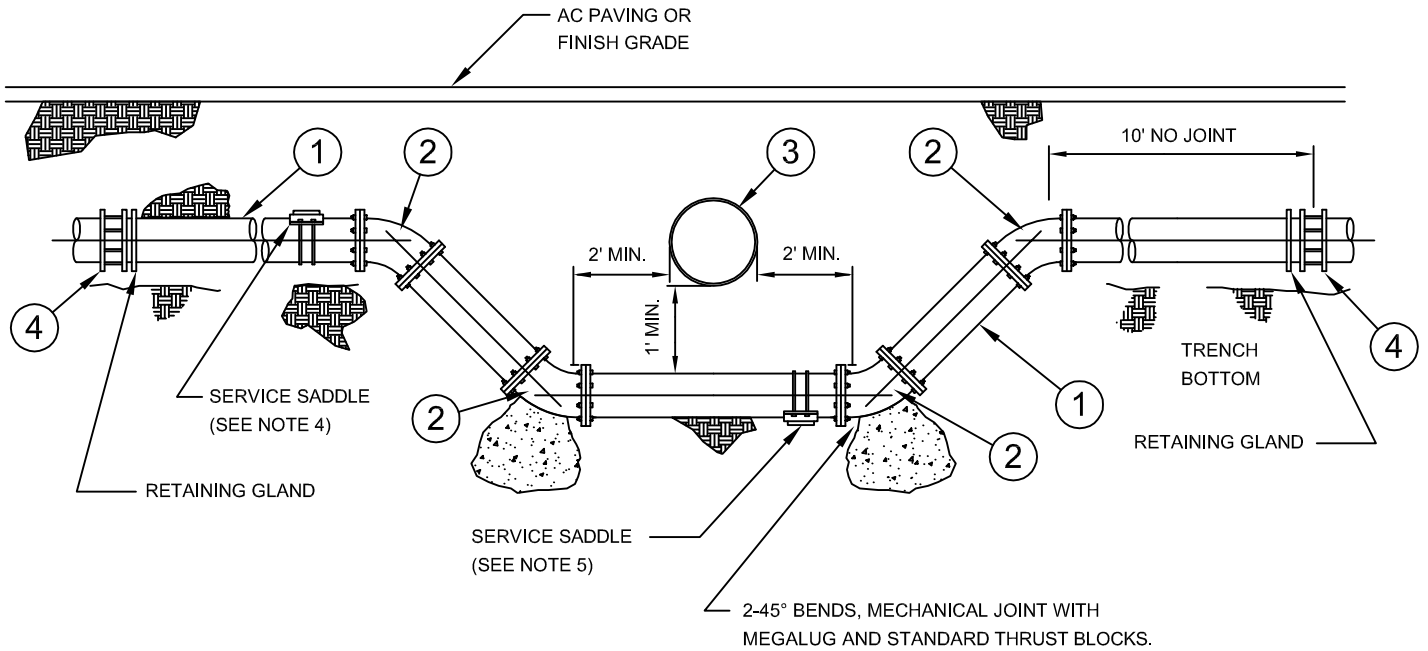


DETAIL "A"
(HANDHOLE)



DETAIL "B"
(P.O. x FLG ADAPTER)

REVISIONS			VALLECITOS WATER DISTRICT STANDARD DRAWING	DATE: JAN. 04
DESCRIPTION	APPROVED	DATE		BY:
			UTILITY CROSSING (STEEL WATER PIPE)	Drawing No.
				W-27



NOTES:

- 1) ALL PIPE JOINTS AT 45-DEGREE BENDS SHALL BE RESTRAINED
- 2) THE THRUST AND ANCHOR BLOCKS SHALL BE PER VWD STD. DWG. W-15.
- 3) DIP INSTALLATION SHALL BE DOUBLE ENCASED POLYETHYLENE WRAPPING PER VWD STANDARDS SECTION 15056 PART 3 C4
- 4) AN AUTOMATIC AIR AND VACUUM VALVE SHALL BE INSTALLED ON THE HIGH POINT OF THE OFFSET AS SPECIFIED ON THE PLAN OR DIRECTED BY VWD INSPECTOR.
- 5) A BLOW OFF MAY BE REQUIRED AT THE LOW POINT OF THE OFFSET AS SPECIFIED ON THE PLAN OR DIRECTED BY VWD INSPECTOR.
- 6) IF BOTTOM LENGTH EXCEEDS 18 FEET, CONNECT PIPE SECTIONS WITH MECHANICAL JOINT RETAINING GLAND.

ITEM	MATERIAL	ITEM	MATERIAL
①	PER DISTRICT ENGINEER	③	UTILITY CONDUIT
②	45° BEND MECHANICAL JOINT RESTRAINED	④	TRANSITION COUPLING PER DISTRICT INSPECTOR

REVISIONS			VALLECITOS WATER DISTRICT STANDARD DRAWING	DATE: JULY 2015
DESCRIPTION	APPROVED	DATE		BY:
CHANGES TO NOTES		4-3-18	UTILITY CROSSING (PCV C-900) (DUCTILE IRON PIPE)	Drawing No.
				W-28