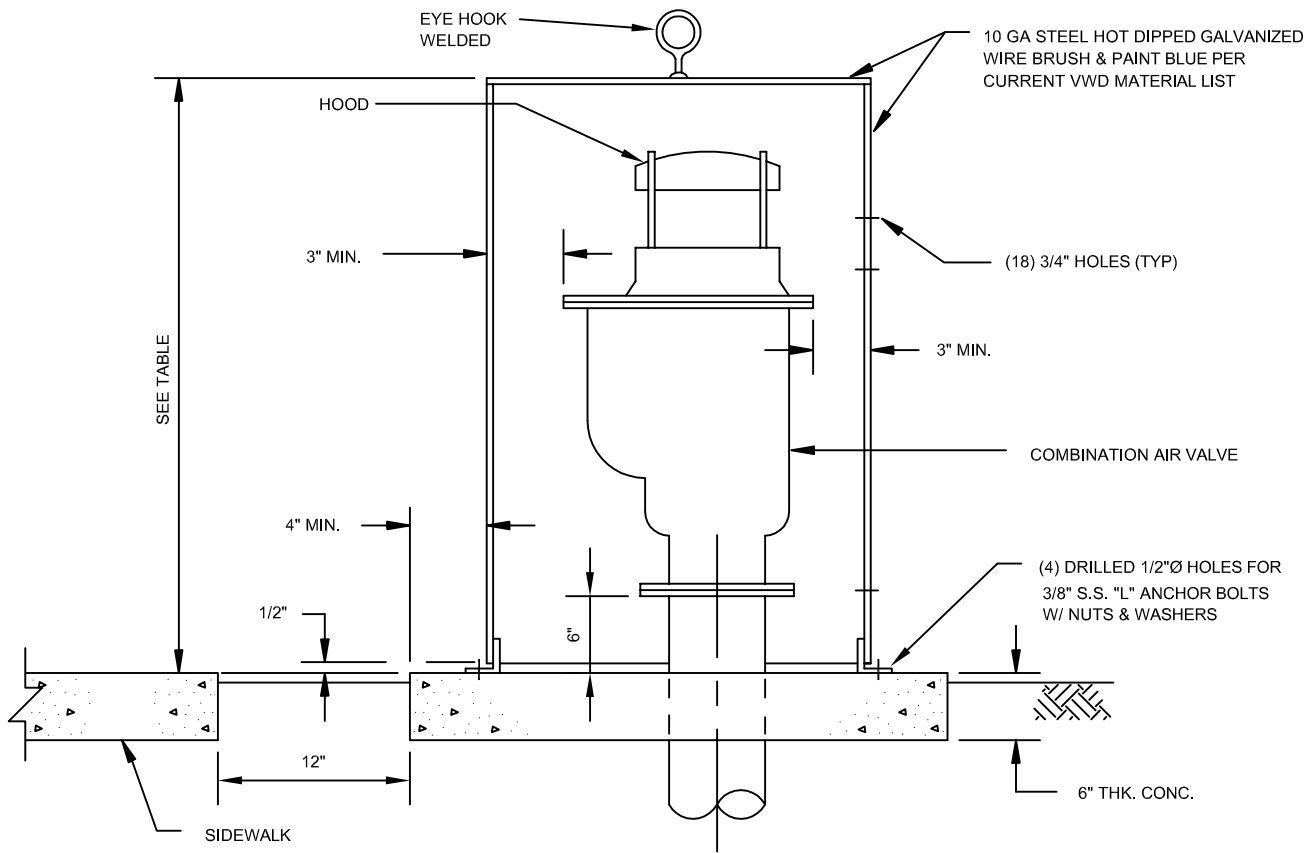
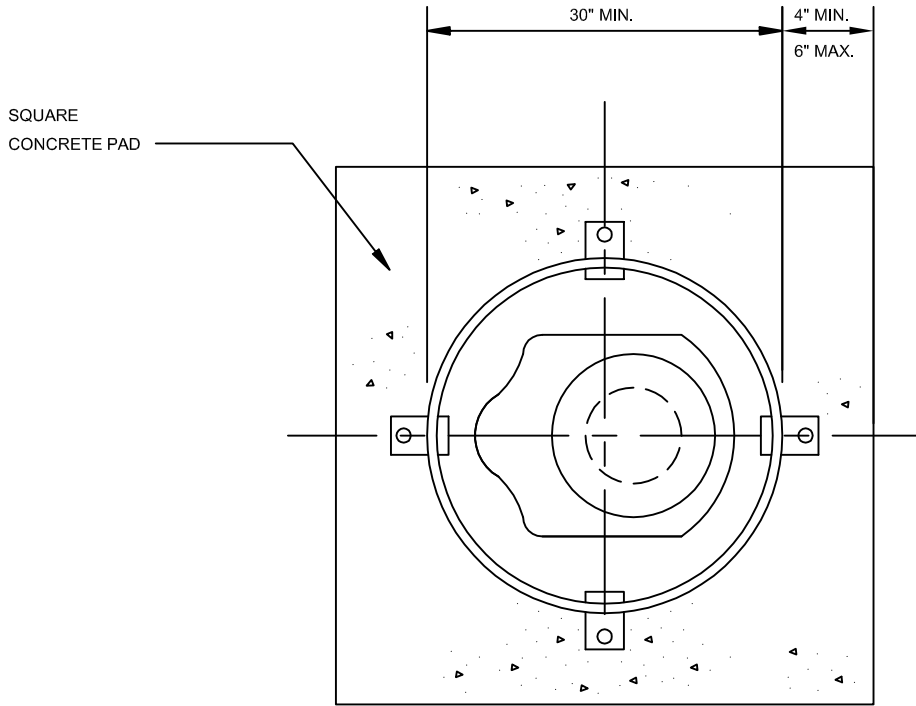


TABLE

SIZE	HEIGHT	DIAMETER
3"	30"	30"
4"	36"	30"
6"	36"	30"
8"	36"	30"



REVISIONS		
DESCRIPTION	APPROVED	DATE
SUPPORTS INSIDE CAN & EYE HOOK		5-16-06

VALLECITOS WATER DISTRICT STANDARD DRAWING

3" & LARGER AIR RELEASE/ ENCLOSURE

DATE: JAN. 04

BY:

Drawing No.

W-25